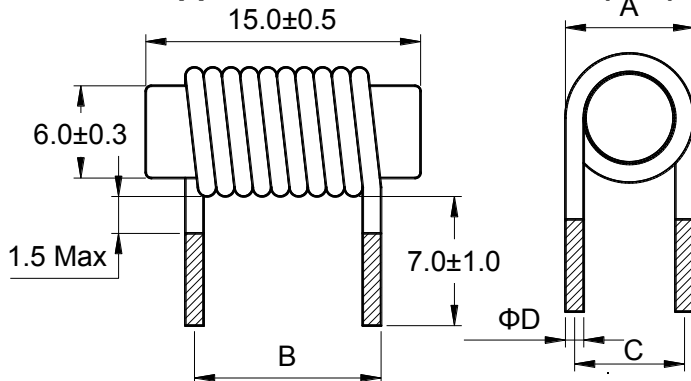


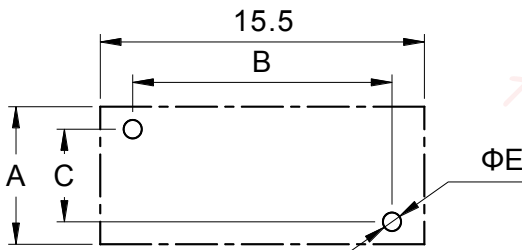
# Rod Choke Inductor



## 1 外形尺寸 Appearance and dimensions (mm)



## 2 参考焊孔尺寸 Reference hole pattern (mm)



| Part No.<br>型号 | A    | B    | C    | D     | E    |
|----------------|------|------|------|-------|------|
|                | Max  | ±1.0 | ±0.5 | ±0.15 | Ref. |
| 1R0            | 9.60 | 10.5 | 7.55 | 1.50  | 1.90 |
| 1R8            | 8.80 | 10.0 | 7.15 | 1.10  | 1.50 |
| 2R2            | 8.80 | 11.5 | 7.15 | 1.10  | 1.50 |
| 3R3            | 8.50 | 11.5 | 6.95 | 0.90  | 1.30 |
| 4R7            | 8.00 | 11.0 | 6.75 | 0.70  | 1.10 |
| 5R0            | 8.00 | 11.5 | 6.75 | 0.70  | 1.10 |
| 6R8            | 7.80 | 11.5 | 6.65 | 0.60  | 1.00 |
| 8R2            | 7.80 | 13.5 | 6.65 | 0.60  | 1.00 |
| 100            | 7.60 | 12.0 | 6.55 | 0.50  | 0.90 |
| 150            | 7.40 | 12.5 | 6.45 | 0.40  | 0.80 |
| 220            | 7.20 | 12.5 | 6.35 | 0.30  | 0.60 |

## 3 电气特性 Electrical characteristics

| Part No.<br>品名 | Inductance (μH)<br>电感值 ※1<br>±20% | D.C.R. (mΩ)<br>直流电阻 |      | Saturation<br>current (A)<br>饱和电流 ※2<br>Typical | Temperature rise<br>current (A)<br>温升电流 ※3<br>Typical |
|----------------|-----------------------------------|---------------------|------|---|---|
|                |                                   | Typical             | Max  |   |   |
|                |                                   | ARA0615-1R0M        | 1.00 |   |   |
| ARA0615-1R8M   | 1.80                              | 3.85                | 5.00 | 23.0  | 21.0  |
| ARA0615-2R2M   | 2.20                              | 5.30                | 6.90 | 21.0  | 17.9  |
| ARA0615-3R3M   | 3.30                              | 8.40                | 10.9 | 19.0  | 14.2  |
| ARA0615-4R7M   | 4.70                              | 16.4                | 21.3 | 15.5  | 10.2  |
| ARA0615-5R0M   | 5.00                              | 17.2                | 22.4 | 15.0  | 9.90  |
| ARA0615-6R8M   | 6.80                              | 24.8                | 32.2 | 14.0  | 8.30  |
| ARA0615-8R2M   | 8.20                              | 30.6                | 39.8 | 12.5  | 7.45  |
| ARA0615-100M   | 10.0                              | 46.0                | 59.8 | 11.0  | 6.00  |
| ARA0615-150M   | 15.0                              | 84.0                | 109  | 9.00  | 4.50  |
| ARA0615-220M   | 22.0                              | 134                 | 174  | 7.50  | 3.55  |

■ All data is tested based on 25°C ambient temperature.  
所有数据基于环境温度 25°C 条件下测试。

※1 Inductance measure condition at 1kHz, 0.25V.  
电感测试条件为 1kHz, 0.25V。

※2 Saturation current: the actual value of DC current when the inductance decrease 20% of its initial value.  
饱和电流: 电感值下降其初始值的 20% 时所加载的实际直流电流值。

※3 Temperature rise current: the actual value of DC current when the temperature rise is ΔT40°C (Ta=25°C).  
温升电流: 使产品温度上升到 ΔT40°C 时所加载的实际直流电流值 (Ta=25°C)。

※ Special remind: Circuit design, component placement, PWB size and thickness, cooling system and etc. all will affect the product temperature. Please verify the product temperature in the final application.  
特别提醒: 线路设计, 组件布局, 印刷线路板(PWB)尺寸及厚度, 散热系统等均会影响产品温度。  
请务必在最终应用时, 验证产品发热状况。