

**Features::**

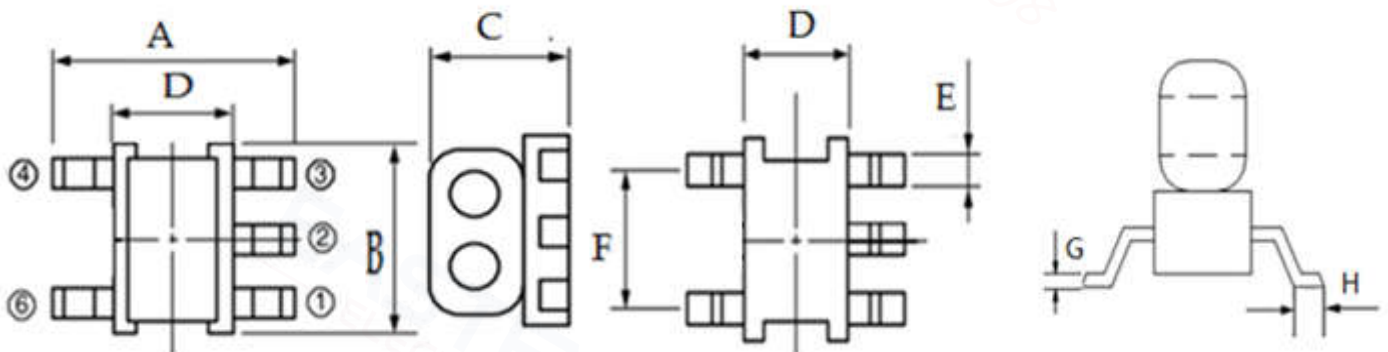
- ◆ 1: 4 Impedance
- ◆ 50Ω Impedance
- ◆ Frequency: 10to1900 MHz
- ◆ RF power: 0.25W
- ◆ DC current: 30mA
- ◆ Operating temperature range: -40°C to +85°C
- ◆ Storage temperature range: -55°C to +100°C



**Applications:**

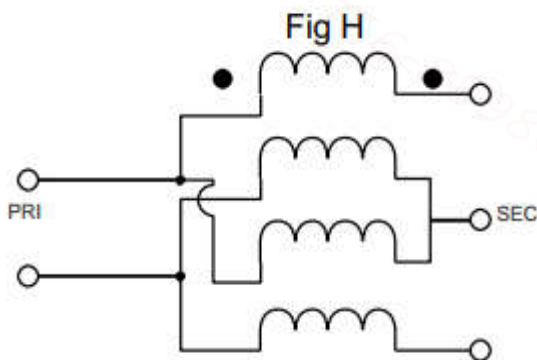
- ◆ For broadband and wireless communications
- ◆ For VHF/UHF receivers/transmitters and push-pull amplifiers

**Dimension Diagram (Unit:mm) :**

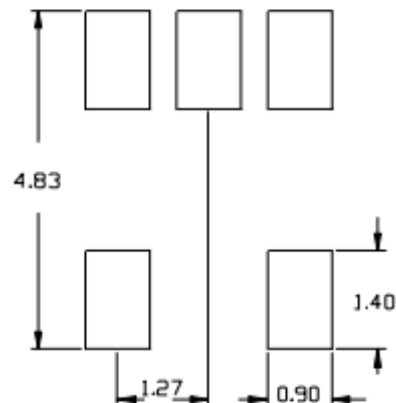


A=4.10±0.20 B=3.80±0.20 C=3.20±0.20 D=2.80±0.20 E=0.55±0.05 F=2.54±0.05 G=0.25±0.05 H=0.60±0.05

**Electrical structure:**



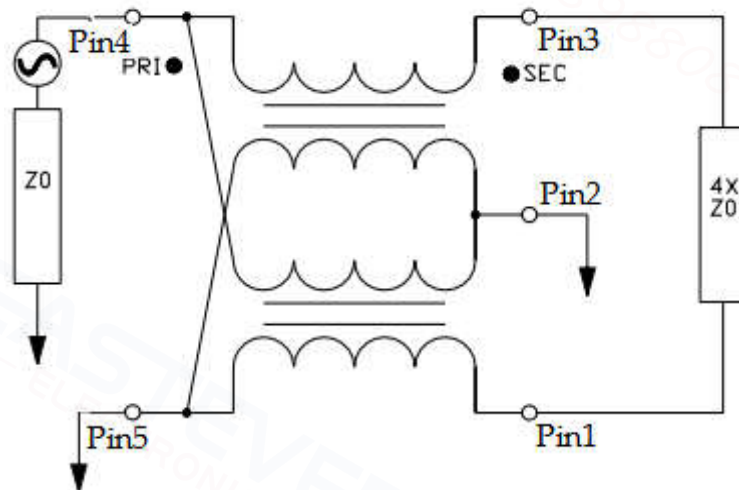
**Recommended layout:**



## Pin configuration:

Pin No.	Function
1	Output2
2	Ground
3	Output1
4	Input
5	Ground

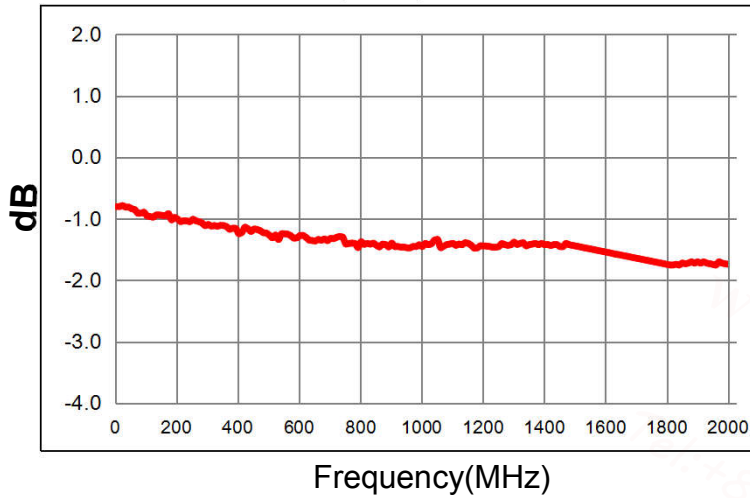
## Application circuit :



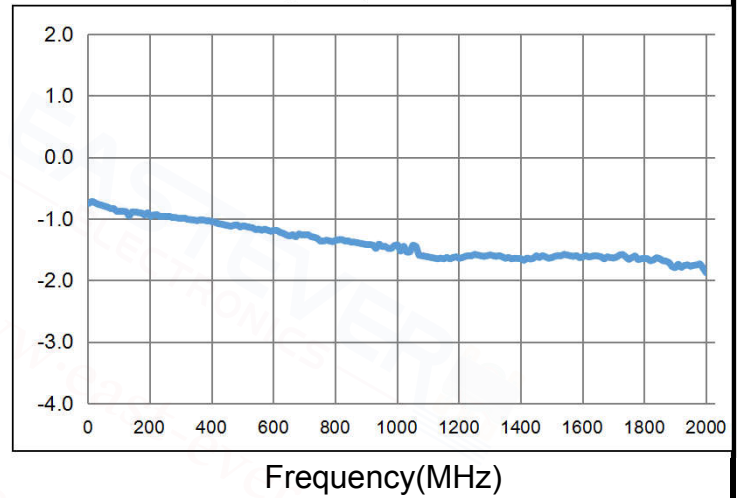
## Electrical Specifications: TA=25°C , 0dBm,Z0=50Ω:

Parameter	Test Conditions	Units	Min	Typ	Max
Main line Loss(out1)	10-1900MHz	dB	—	1.40	3.50
Main line Loss(out2)	10-1900MHz	dB	—	1.60	3.50
Amplitude Balance	10-1900MHz	dB	—	±0.20	±1.00
Phase Balance	10-1900MHz	Degrees	—	±10.0	±10.0
Input Return Loss	10-1900MHz	dB	5.00	6.50	—

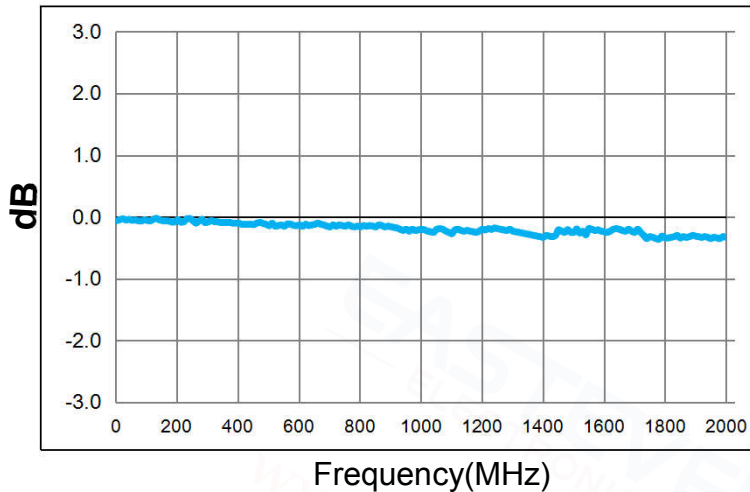
Main line Loss(out1)



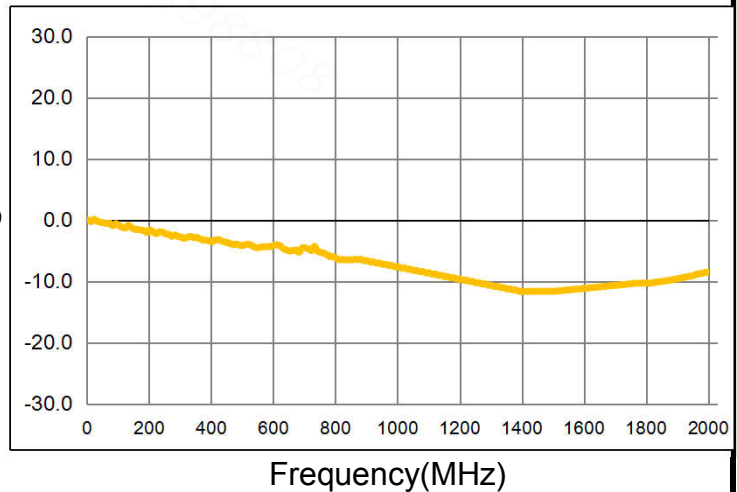
Main line Loss(out2)



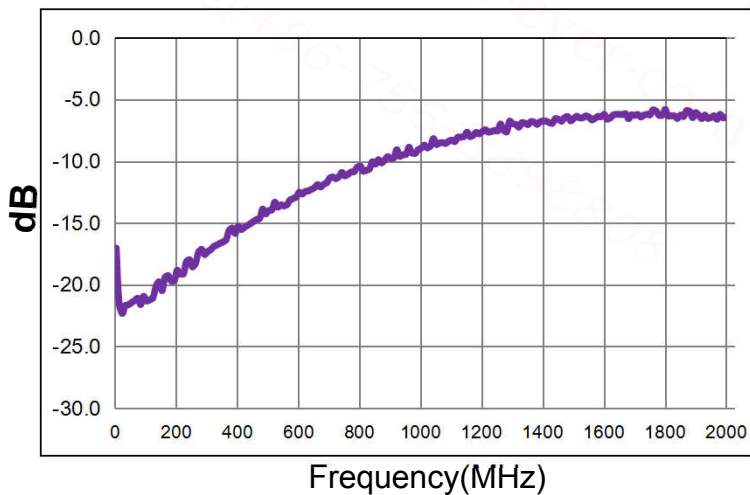
Amplitude Balance



Phase Balance

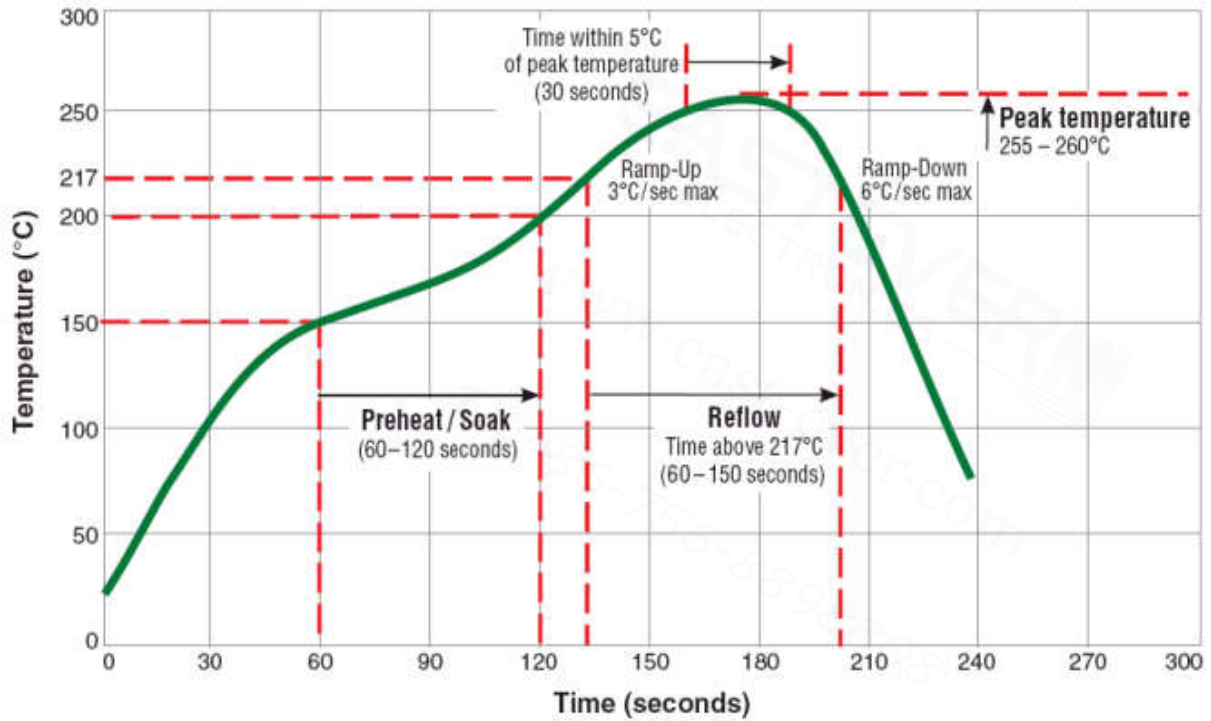


Input Return Loss

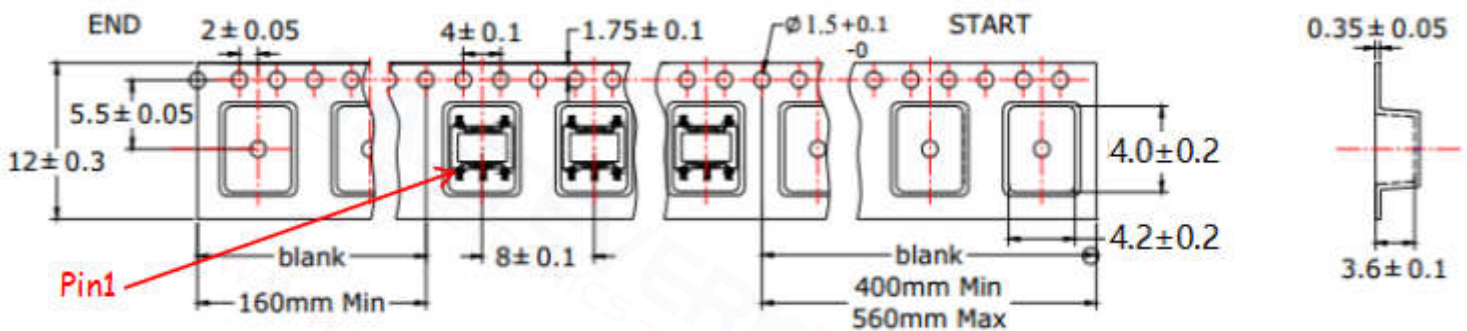


Recommended Soldering Temperature Graph:

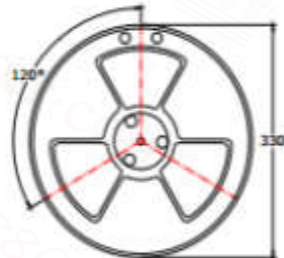
Typical RoHS Reflow Profile



Packging Dimension For Caeier Tape(UNIT:mm):



<b>QUANTITY</b>
2000PCS/Reel
4Reels/Middle Carton Middle Carton:
4 Middle Cartons/Big Carton
32000PCS/ Big Carton



SPEC	8	12	16	24
DIM A±0.1	8.5	12.5	16.5	24.5
DIM B±0.1	2.3	2.3	2.3	2.3
DIM C±0.1	100	100	100	100

