

High Frequency, High Current Power Inductors



Features

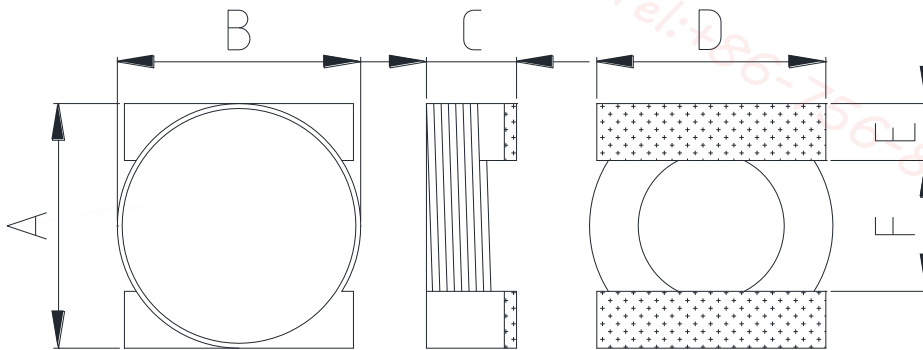
- ▶ High Q over a wide frequency range
- ▶ Tinned leads assure reliable soldering
- ▶ Standard EIA tape and reel packing
- ▶ Forms a flat top making them suitable for automatic placement and reflow.
- ▶ RoHS compliant.
- ▶ Halogen Free.



Applications

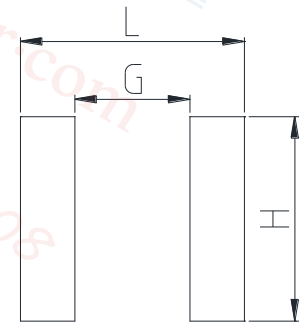
- ▶ Satellite communication systems, equipment (TV, STB, audio, etc)

Dimension (Unit:mm)



A	B	C	D	E
10.0 Max	10.0 Max	3.6~6.1	8.55±0.25	1.75 ref.

Land Pattern (Unit:mm)



L	G	H
10.45	5.37	9.53

Specifications

Part Number	Height C size (mm) ±0.1	Inductance (nH) ±20%	Q Typ.	Q TEST Freq. (MHz)	SRF(MHz) Min.	DCR (mohm) Max.(Typ.)	Rated DC Current(A) Max.
EAC1010-23NM	3.60	23	95	100	923	1.20(1.05)	26.00
EAC1010-46NM	4.10	46	150	100	526	1.62(1.50)	25.50
EAC1010-79NM	4.80	79	135	50	386	2.11(1.95)	25.00
EAC1010-111NM	5.60	110	150	50	382	2.73(2.53)	22.00
EAC1010-141NM	6.10	140	140	50	433	3.33(3.08)	19.30

- Inductance measured at 1 MHz, 0.1 Vrms, 0 A
- Rated DC Current : Current that causes the specified temperature rise from 25°C ambient.
- Operating Temperature Range(including self temperature) : -40°C ~ +125 °c

High Frequency, High Current Power Inductors



Features

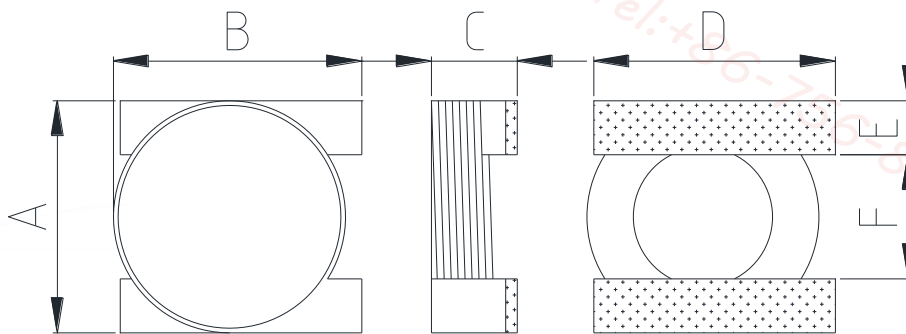
- ▶ High Q over a wide frequency range
- ▶ Tinned leads assure reliable soldering
- ▶ Standard EIA tape and reel packing
- ▶ Forms a flat top making them suitable for automatic placement and reflow.
- ▶ RoHS compliant.
- ▶ Halogen Free.



Applications

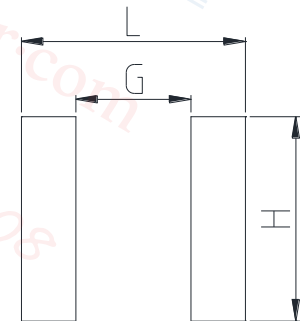
- ▶ Satellite communication systems, equipment (TV, STB, audio, etc)

Dimension (Unit:mm)



A	B	C	D	E
11.5 Max	12.0 Max	6.6~11.3	9.07±1.02	2.54 ref.

Land Pattern (Unit:mm)



L	G	H
12.14	5.54	10.34

Specifications

Part Number	Heigh C size (mm) ±0.1	Inductance (nH) ±20%	Q Typ.	Q TEST Freq. (MHz)	SRF(MHz) Min.	DCR (mohm) Max.(Typ.)	Rated DC Current(A) Max.
EAC1212-22NM	6.60	22	200	100	918	0.55(0.48)	57.00
EAC1212-42NM	7.60	42	195	50	557	0.77(0.70)	52.00
EAC1212-66NM	8.80	66	200	50	480	0.99(0.90)	48.00
EAC1212-90NM	10.40	90	175	50	444	1.21(1.10)	45.00
EAC1212-111NM	11.30	110	165	50	399	1.43(1.30)	44.00

- Inductance measured at 1 MHz, 0.1 Vrms, 0 A
- Rated DC Current : Current that causes the specified temperature rise from 25°C ambient.
- Operating Temperature Range(including self temperature) : -40°C ~ +125 °c

High Frequency, High Current Power Inductors



Features

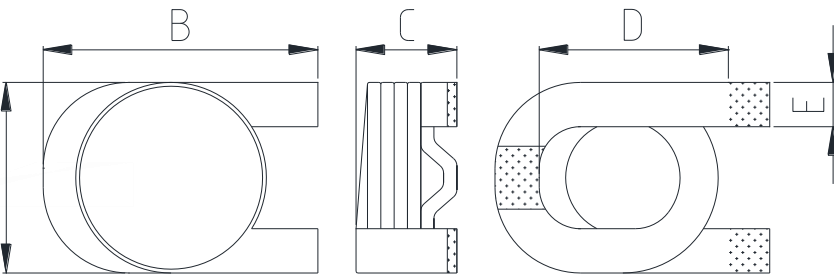
- ▶ High Q over a wide frequency range
- ▶ Tinned leads assure reliable soldering
- ▶ Standard EIA tape and reel packing
- ▶ Forms a flat top making them suitable for automatic placement and reflow.
- ▶ RoHS compliant.
- ▶ Halogen Free.



Applications

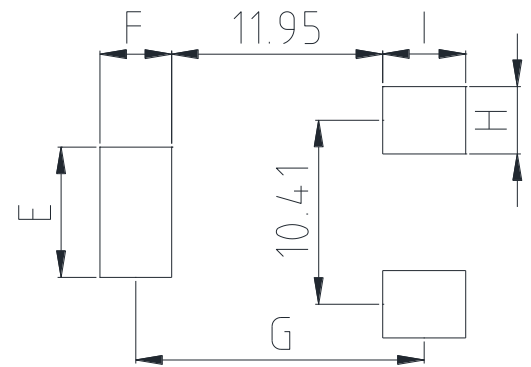
- ▶ Satellite communication systems, equipment (TV, STB, audio, etc)

Dimension (Unit:mm)



A	B	C	D	E
13.6 Max	19.56 Max	5.99~11.4	16.08 ref.	2.54 ref.

Land Pattern (Unit:mm)



E	F	G	H	I
7.37	4.06	16.33	3.81	4.70

Specifications

Part Number	Height C size (mm) ± 0.1	Inductance (nH) $\pm 20\%$	Q Typ.	Q TEST Freq. (MHz)	SRF(MHz) Min.	DCR (mohm) Max.(Typ.)	Rated DC Current(A) Max.
EAC2014-33NM	5.99	33	230	100	620	0.74(0.63)	43.00
EAC2014-66NM	7.09	66	200	50	413	1.00(0.90)	42.50
EAC2014-111NM	8.31	110	210	50	320	1.34(1.20)	42.00
EAC2014-151NM	9.19	150	205	50	296	1.60(1.44)	39.70
EAC2014-201NM	10.4	200	200	50	262	1.82(1.70)	35.80
EAC2014-251NM	11.4	250	200	50	230	2.15(1.94)	34.50

- Inductance measured at 1 MHz, 0.1 Vrms, 0 A
- Rated DC Current : Current that causes the specified temperature rise from 25°C ambient.
- Operating Temperature Range(including self temperature) : -40°C ~ +125 °c