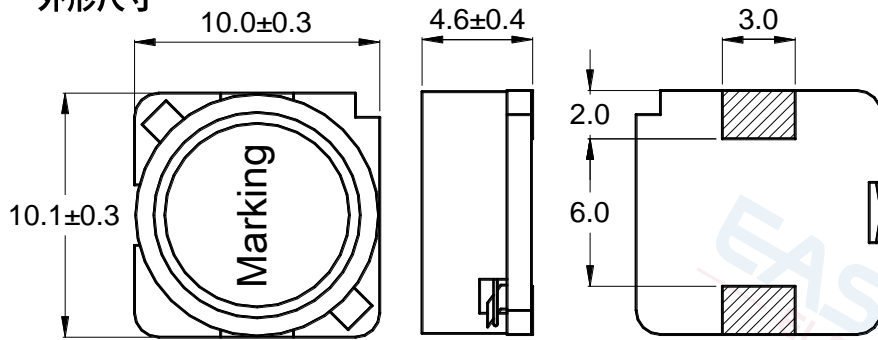


# SMD Power Inductor



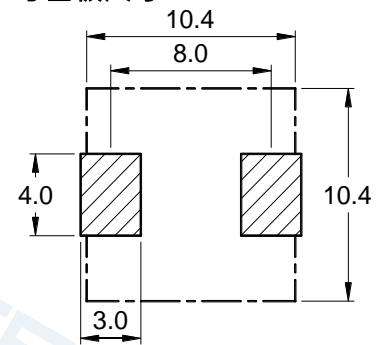
## 1 Appearance and dimensions (mm)

外形尺寸



## 2 Reference land pattern (mm)

参考基板尺寸



## 3 Electrical characteristics 电气特性

Part No. 型号	Inductance (μH) 电感值 ※1	D.C.R. (mΩ) 直流电阻		Saturation current (A) 饱和电流 ※2		Temperature rise current (A) 温升电流 ※3
		Typical	Max	Typical	Max	Typical
EB1045-1R2N	1.20 ±30%	10.9	13.0	10.0	8.00	6.35
EB1045-2R2N	2.20 ±30%	12.8	15.3	8.10	6.48	5.86
EB1045-3R3N	3.30 ±30%	17.0	20.4	6.00	4.80	5.08
EB1045-4R7N	4.70 ±30%	19.4	23.2	5.30	4.24	4.76
EB1045-6R8N	6.80 ±30%	24.2	29.0	4.30	3.44	4.26
EB1045-8R2N	8.20 ±30%	26.5	31.8	3.90	3.12	4.07
EB1045-100M	10.0 ±20%	29.5	35.4	3.60	2.88	3.86
EB1045-150M	15.0 ±20%	45.6	54.7	2.90	2.32	3.10
EB1045-220M	22.0 ±20%	65.0	78.0	2.45	1.96	2.52
EB1045-330M	33.0 ±20%	86.0	103	1.90	1.52	2.26
EB1045-470M	47.0 ±20%	114	137	1.65	1.32	1.96
EB1045-680M	68.0 ±20%	169	203	1.35	1.08	1.61
EB1045-820M	82.0 ±20%	215	258	1.24	0.99	1.43
EB1045-101M	100 ±20%	244	293	1.10	0.88	1.34
EB1045-151M	150 ±20%	373	448	0.90	0.72	1.08
EB1045-221M	220 ±20%	535	642	0.75	0.60	0.91
EB1045-331M	330 ±20%	800	960	0.62	0.50	0.74
EB1045-471M	470 ±20%	1,230	1,476	0.52	0.42	0.60
EB1045-681M	680 ±20%	1,530	1,836	0.43	0.34	0.54
EB1045-821M	820 ±20%	2,100	2,520	0.39	0.31	0.46
EB1045-102M	1,000 ±20%	2,350	2,820	0.35	0.28	0.43

All data is tested based on 25°C ambient temperature. 所有测试数据基于环境温度25°C条件下测试。

※1. Inductance measure condition at 100kHz, 0.1V. 电感测试条件为100kHz, 0.1V。

※2. Saturation current the actual value of DC current when the inductance decrease 20% of its initial value.  
饱和电流: 电感值下降其初始值的20%时所加载的实际直流电流值。

※3. Temperature rise current the actual value of DC current when the temperature rise is ΔT40 (Ta=25).  
温升电流: 使产品温度上升到ΔT40°C时所加载的实际直流电流值(Ta=25°C)



Balun Transformer | Coupler | Divider | Inductor | Choke | Bead | Air Coil | LAN Transformer

Zuhai Eastever Electronic Co.,Ltd | No.265 Chang Ping Road,GongBei ,ZhuHai,China | www.east-ever.com | james@yfbalun.com | Tel:" 86-756-8898808