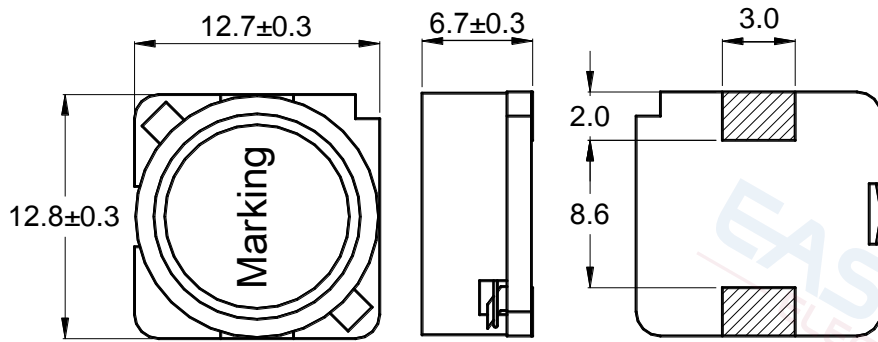


SMD Power Inductor



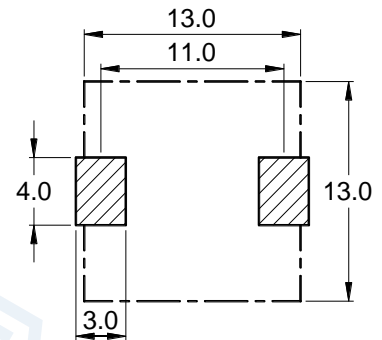
1 Appearance and dimensions (mm)

外形尺寸



2 Reference land pattern (mm)

参考基板尺寸



3 Electrical characteristics 电气特性

| Part No. 型号 | Inductance (μH) 电感值 ※1 | D.C.R. (mΩ) 直流电阻 | | Saturation current (A) 饱和电流 ※2 | | Temperature rise current (A) 温升电流 ※3 |
|----------------|---------------------------|---------------------|-------|-----------------------------------|------|---|
| | | Typical | Max | Typical | Max | Typical |
| EB1270-100M | 10.0 ±20% | 24.5 | 29.4 | 7.20 | 5.76 | 4.61 |
| EB1270-150M | 15.0 ±20% | 37.5 | 45.0 | 5.90 | 4.72 | 3.73 |
| EB1270-220M | 22.0 ±20% | 46.0 | 55.2 | 4.90 | 3.92 | 3.37 |
| EB1270-330M | 33.0 ±20% | 70.0 | 84.0 | 4.00 | 3.20 | 2.73 |
| EB1270-470M | 47.0 ±20% | 95.0 | 114 | 3.30 | 2.64 | 2.34 |
| EB1270-680M | 68.0 ±20% | 121 | 145 | 2.70 | 2.16 | 2.08 |
| EB1270-820M | 82.0 ±20% | 149 | 179 | 2.50 | 2.00 | 1.87 |
| EB1270-101M | 100 ±20% | 192 | 230 | 2.25 | 1.80 | 1.65 |
| EB1270-151M | 150 ±20% | 273 | 328 | 1.80 | 1.44 | 1.38 |
| EB1270-221M | 220 ±20% | 338 | 406 | 1.50 | 1.20 | 1.24 |
| EB1270-331M | 330 ±20% | 570 | 684 | 1.25 | 1.00 | 0.96 |
| EB1270-471M | 470 ±20% | 820 | 984 | 1.05 | 0.84 | 0.80 |
| EB1270-681M | 680 ±20% | 1,180 | 1,416 | 0.85 | 0.68 | 0.66 |
| EB1270-821M | 820 ±20% | 1,420 | 1,704 | 0.78 | 0.62 | 0.61 |
| EB1270-102M | 1,000 ±20% | 1,700 | 2,040 | 0.70 | 0.56 | 0.55 |

All data is tested based on 25°C ambient temperature. 所有测试数据基于环境温度25°C条件下测试。

※1. Inductance measure condition at 100kHz, 0.1V. 电感测试条件为100kHz, 0.1V。

※2. Saturation current the actual value of DC current when the inductance decrease 20% of its initial value.
饱和电流：电感值下降其初始值的20%时所加载的实际直流电流值。

※3. Temperature rise current the actual value of DC current when the temperature rise is ΔT40 (Ta=25).
温升电流：使产品温度上升到ΔT40°C时所加载的实际直流电流值(Ta=25°C)

