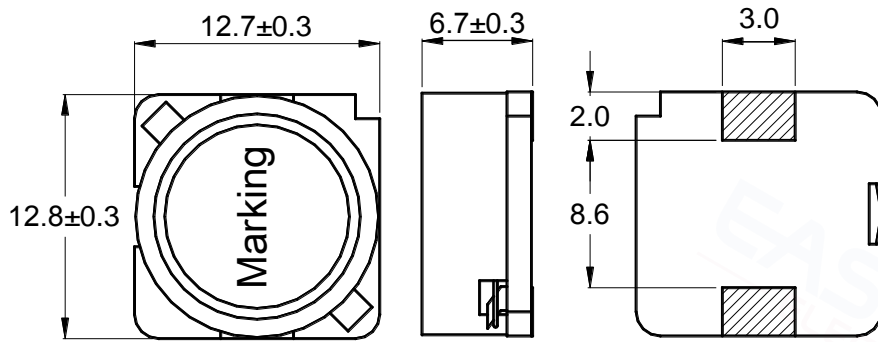


SMD Power Inductor



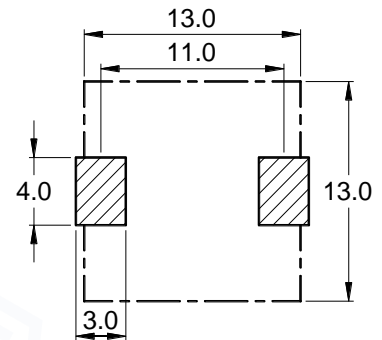
1 Appearance and dimensions (mm)

外形尺寸



2 Reference land pattern (mm)

参考基板尺寸



3 Electrical characteristics 电气特性

Part No. 型号	Inductance (μH) 电感值 ※1	D.C.R. (mΩ) 直流电阻		Saturation current (A) 饱和电流 ※2		Temperature rise current (A) 温升电流 ※3
		Typical	Max	Typical	Max	Typical
EB1270-100M	10.0 ±20%	24.5	29.4	7.20	5.76	4.61
EB1270-150M	15.0 ±20%	37.5	45.0	5.90	4.72	3.73
EB1270-220M	22.0 ±20%	46.0	55.2	4.90	3.92	3.37
EB1270-330M	33.0 ±20%	70.0	84.0	4.00	3.20	2.73
EB1270-470M	47.0 ±20%	95.0	114	3.30	2.64	2.34
EB1270-680M	68.0 ±20%	121	145	2.70	2.16	2.08
EB1270-820M	82.0 ±20%	149	179	2.50	2.00	1.87
EB1270-101M	100 ±20%	192	230	2.25	1.80	1.65
EB1270-151M	150 ±20%	273	328	1.80	1.44	1.38
EB1270-221M	220 ±20%	338	406	1.50	1.20	1.24
EB1270-331M	330 ±20%	570	684	1.25	1.00	0.96
EB1270-471M	470 ±20%	820	984	1.05	0.84	0.80
EB1270-681M	680 ±20%	1,180	1,416	0.85	0.68	0.66
EB1270-821M	820 ±20%	1,420	1,704	0.78	0.62	0.61
EB1270-102M	1,000 ±20%	1,700	2,040	0.70	0.56	0.55

All data is tested based on 25°C ambient temperature. 所有测试数据基于环境温度25°C条件下测试。

※1. Inductance measure condition at 100kHz, 0.1V. 电感测试条件为100kHz, 0.1V。

※2. Saturation current the actual value of DC current when the inductance decrease 20% of its initial value.
饱和电流：电感值下降其初始值的20%时所加载的实际直流电流值。

※3. Temperature rise current the actual value of DC current when the temperature rise is ΔT40 (Ta=25).
温升电流：使产品温度上升到ΔT40°C时所加载的实际直流电流值(Ta=25°C)

