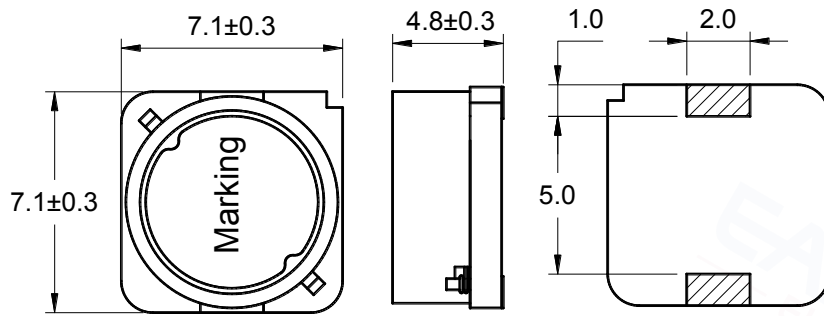


SMD Power Inductor



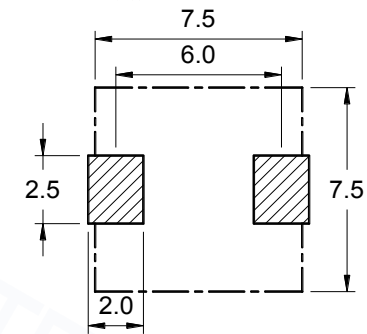
1 Appearance and dimensions (mm)

外形尺寸



2 Reference land pattern (mm)

参考基板尺寸



3 Electrical characteristics 电气特性

Part No. 型号	Inductance (μH) 电感值 ※1	D.C.R. (mΩ) 直流电阻		Saturation current (A) 饱和电流 ※2		Temperature rise current (A) 温升电流 ※3
		Typical	Max	Typical	Max	Typical
EB7050-2R2N	2.20 ±30%	21.3	25.6	6.50	5.20	4.00
EB7050-3R0N	3.00 ±30%	24.2	29.0	6.00	4.80	3.74
EB7050-4R7N	4.70 ±30%	31.0	37.2	4.80	3.84	3.31
EB7050-6R8N	6.80 ±30%	36.0	43.2	4.00	3.20	3.07
EB7050-8R2N	8.20 ±30%	40.0	48.0	3.50	2.80	2.91
EB7050-100M	10.0 ±20%	56.0	67.2	3.20	2.56	2.46
EB7050-150M	15.0 ±20%	77.0	92.4	2.70	2.16	2.10
EB7050-220M	22.0 ±20%	108	130	2.30	1.84	1.77
EB7050-330M	33.0 ±20%	138	166	1.85	1.48	1.57
EB7050-470M	47.0 ±20%	177	212	1.55	1.24	1.38
EB7050-680M	68.0 ±20%	252	302	1.30	1.04	1.16
EB7050-820M	82.0 ±20%	292	350	1.15	0.92	1.08
EB7050-101M	100 ±20%	390	468	1.00	0.80	0.93
EB7050-151M	150 ±20%	580	696	0.85	0.68	0.76
EB7050-221M	220 ±20%	890	1,068	0.70	0.56	0.62
EB7050-331M	330 ±20%	1,488	1,786	0.56	0.45	0.48
EB7050-471M	470 ±20%	1,840	2,208	0.47	0.38	0.43
EB7050-681M	680 ±20%	2,620	3,144	0.39	0.31	0.36
EB7050-821M	820 ±20%	3,020	3,624	0.35	0.28	0.33
EB7050-102M	1,000 ±20%	3,950	4,740	0.31	0.25	0.29

All data is tested based on 25°C ambient temperature. 所有测试数据基于环境温度25°C条件下测试。

※1. Inductance measure condition at 100kHz, 0.1V. 电感测试条件为100kHz, 0.1V。

※2. Saturation current the actual value of DC current when the inductance decrease 20% of its initial value.
饱和电流: 电感值下降其初始值的20%时所加载的实际直流电流值。

※3. Temperature rise current the actual value of DC current when the temperature rise is ΔT40 (Ta=25).
温升电流: 使产品温度上升到ΔT40°C时所加载的实际直流电流值(Ta=25°C)



Balun Transformer | Coupler | Divider | Inductor | Choke | Bead Air Coil | LAN Transformer