

RF Balun Transformer

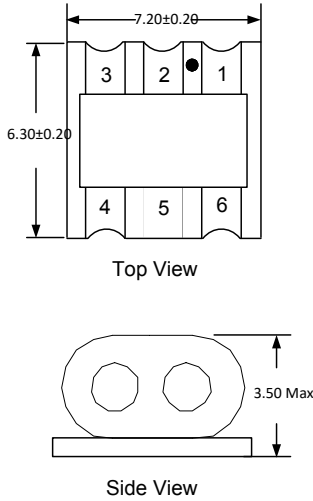
EBA2-1T-G001081

2021-10-31 Rev. 2

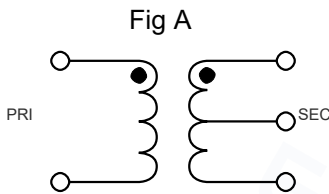


1:2CT Flux Coupled Transformer 8-600 MHz

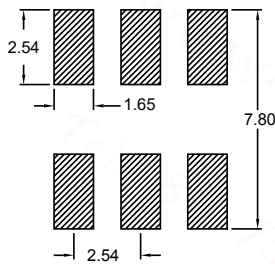
Outline Drawing(mm)



Electrical structure



Recommended layout(mm)



Pin Connections

Pin no.	Function
1	Secondary
2	Ground
3	Secondary Dot
6	Primary
4	Primary Dot

Features

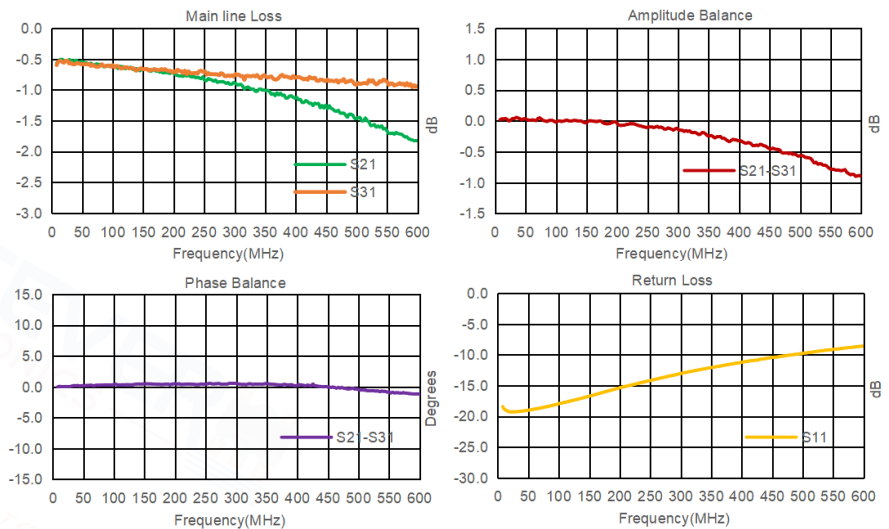
- Excellent Temperature Stability
- RoHS Compliant and Pb Free
- 260°C Reflow Compatible
- Power Input(as a splitter): 1.0W Max
- DC current: 30mA Max
- Operating temperature range: -40 °C to +85 °C
- Storage temperature range: -55 °C to +100 °C

Applications

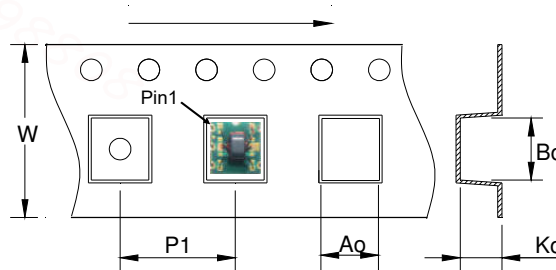
- RF circuits
- Mobile radio
- Satellite TV
- Cordless phones

Electrical Specifications: TA=25 °C, 0dBm, Z0=50Ω

Parameter	Test Conditions	Units	Min	Typ	Max
Insertion Loss 1(S21)	8-600MHz	dB	—	1.5	2.0
Insertion Loss 2(S31)	8-600MHz	dB	—	0.8	1.5
Amplitude Balance	8-600MHz	dB	0.0	0.8	1.5
Phase Balance	8-600MHz	°	0.0	2.0	10.0
Return Loss(S11)	8-600MHz	dB	6.0	15.0	—



Carrier Tape Orientation



Tape & Reel Information

Parameter	Units	Value
Qty per reel	PCS	1500
Reel Size	mm	330
Tape Width	mm	16.00
Pitch	mm	12.00
Ao	mm	8.10
Bo	mm	7.20
Ko	mm	4.00