

**Features::**

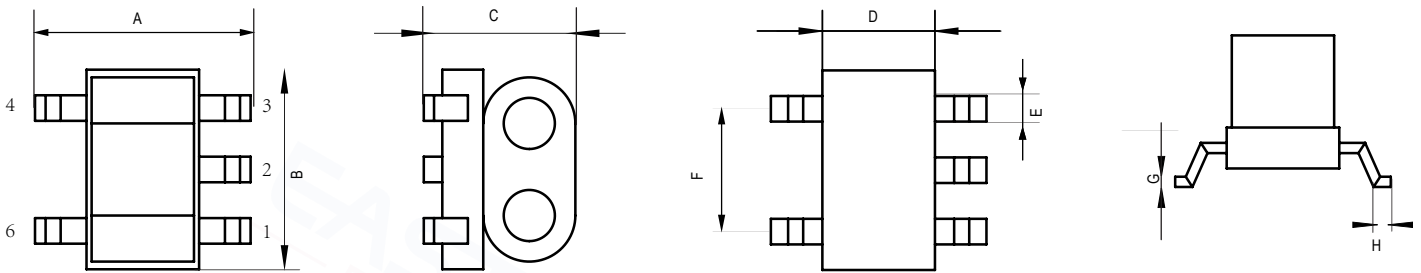
- ◆ Equivalent to: MABA-009231-CT1A4B
- ◆ 50Ω Impedance
- ◆ Frequency: 5 to 1200 MHz
- ◆ RF power: 0.25W
- ◆ DC current: 200mA
- ◆ Insertion loss: 2.4dB Max; Input Return loss: 7.0dB Min
- ◆ Operating temperature range: -40°C to +85°C
- ◆ Storage temperature range: -55°C to +100°C



**Applications:**

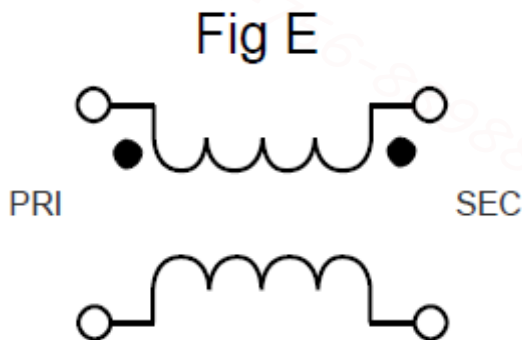
- ◆ For broadband and wireless communications
- ◆ For VHF/UHF receivers/transmitters and push-pull amplifiers

**Dimension Diagram (Unit:mm) :**

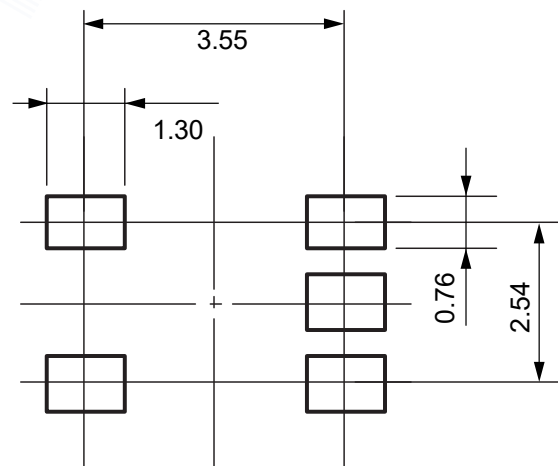


A=4.10±0.20 B=3.80±0.20 C=3.20±0.20 D=2.20±0.20 E=0.50±0.10 F=2.54±0.10 G=0.25±0.10 H=0.30±0.10

**Electrical structure:**



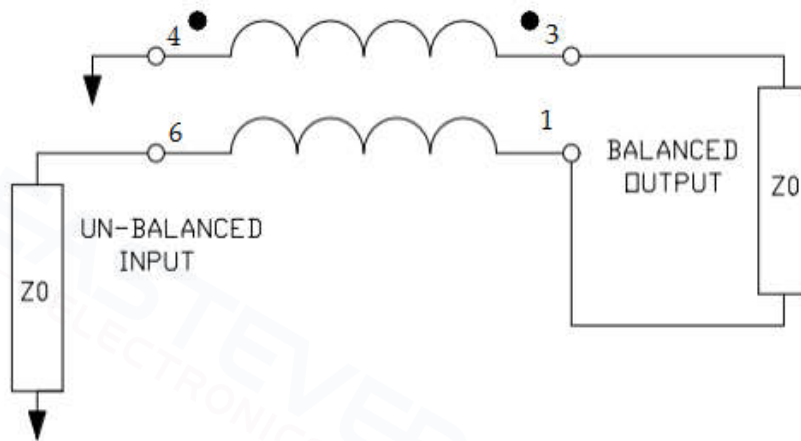
**Recommended layout:**



**Pin configuration:**

Pin No.	Function
1	Secondary (Output 1)
2,5	Not connected
3	Secondary dot (Output 2)
4	Primary dot (Ground)
6	Primary (Input)

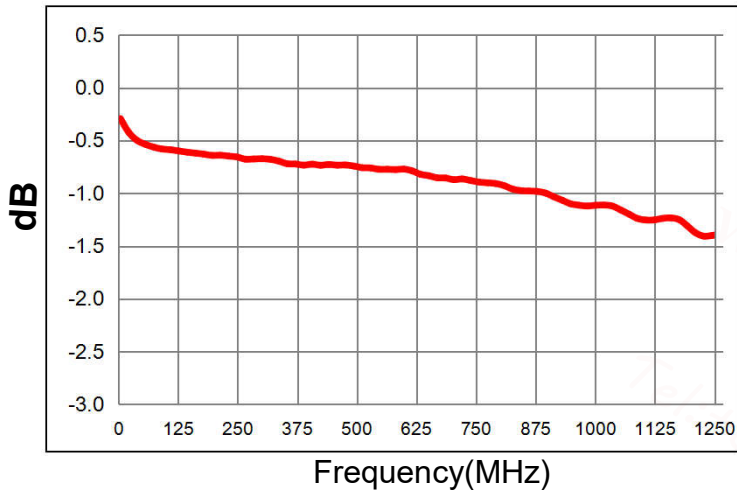
**Application circuit :**



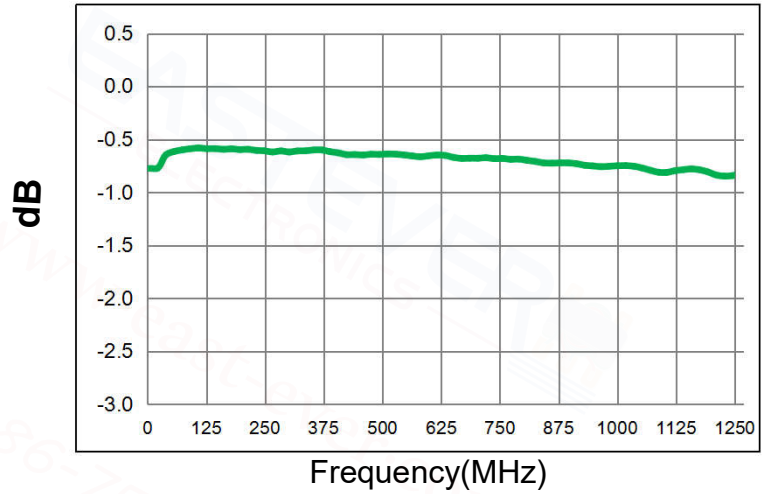
**Electrical Specifications: TA=25°C , 0dBm,Z0=50Ω:**

Parameter	Test Conditions	Units	Min	Typ	Max
Main line Loss(out1)	5-1200MHz	dB	-	0.8	2.4
Main line Loss(out2)	5-1200MHz	dB	-	0.6	1.8
Amplitude Balance	5-1200MHz	dB	-	0.5	±1.0
Phase Balance	5-1200MHz	Degrees	-	5.0	±15.0
Input Return Loss	5-1200MHz	dB	7.0	20.0	—

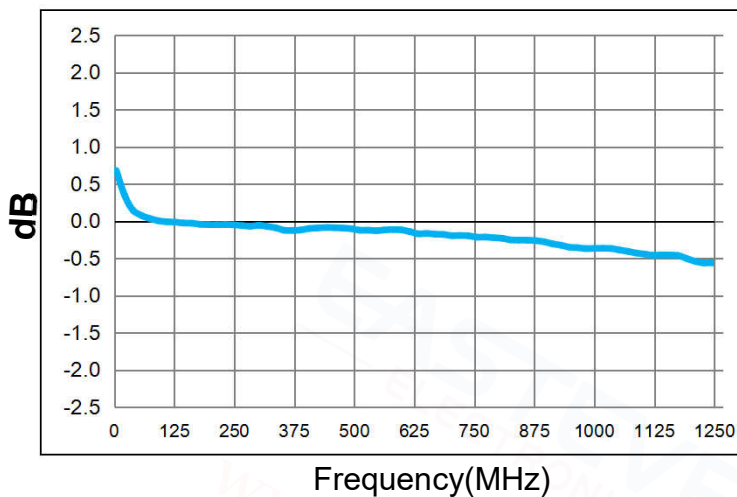
Main line Loss(out1)



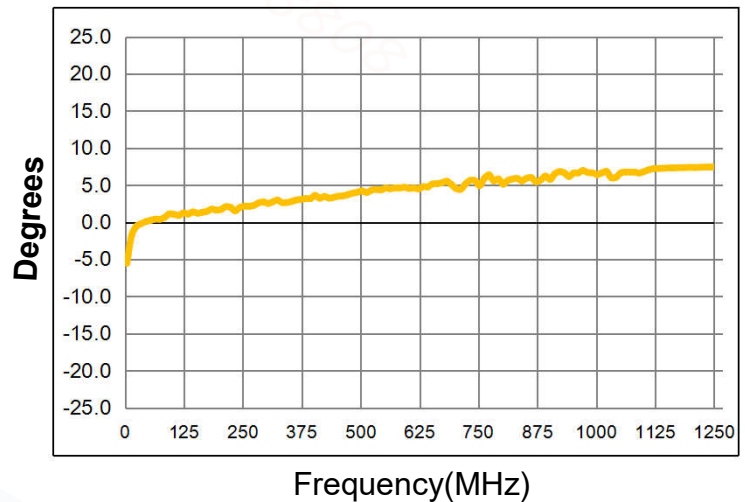
Main line Loss(out2)



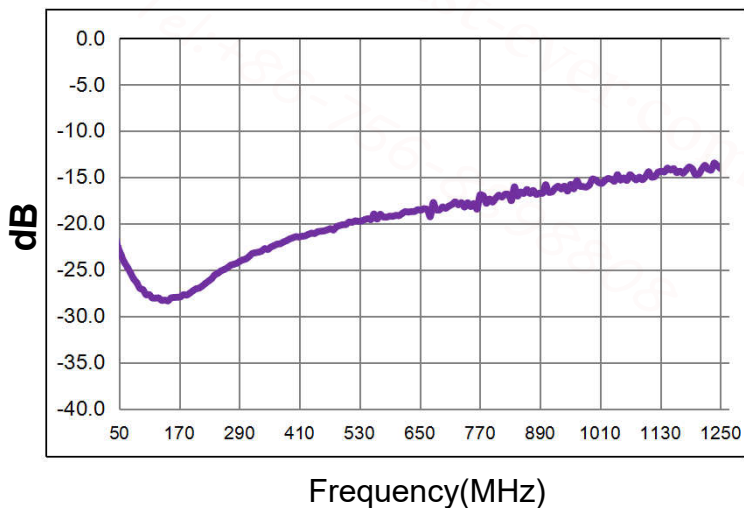
Amplitude Balance



Phase Balance

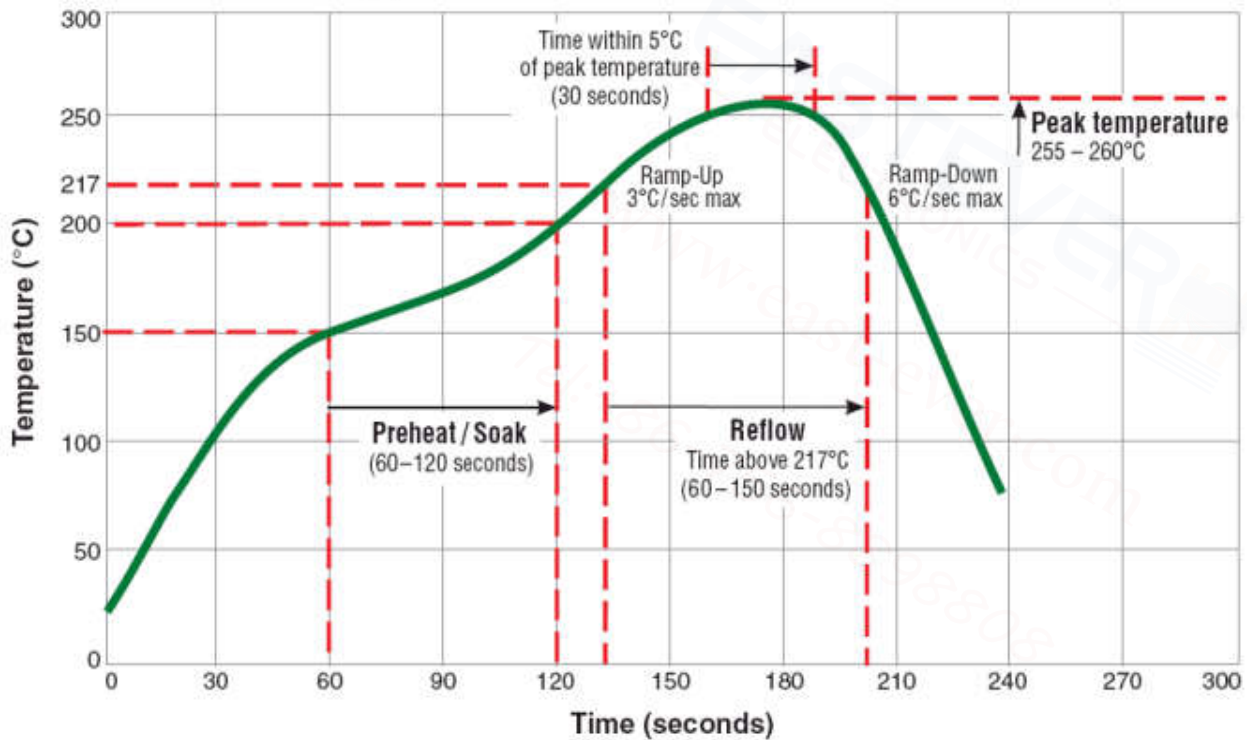


Input Return Loss

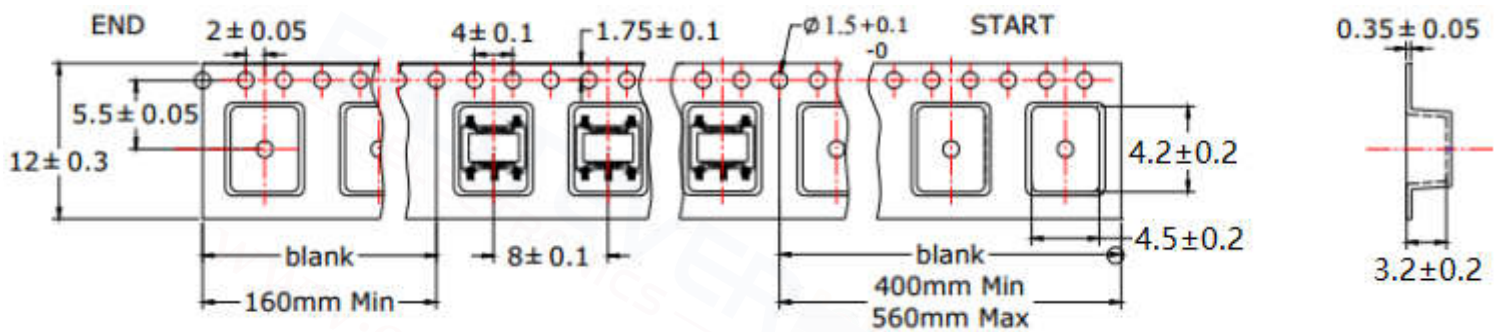


**Recommended Soldering Temperature Graph:**

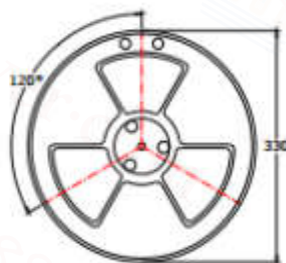
**Typical RoHS Reflow Profile**



**Packaging Dimension For Caeier Tape(UNIT:mm):**



<b>QUANTITY</b>
2000PCS/Reel
4 Reels/Middle Carton Middle Carton:
4 Middle Cartons/Big Carton
32000PCS/ Big Carton



<b>SPEC</b>	8	12	16	24
<b>DIM A±0.1</b>	8.5	12.5	16.5	24.5
<b>DIM B±0.1</b>	2.3	2.3	2.3	2.3
<b>DIM C±0.1</b>	100	100	100	100

