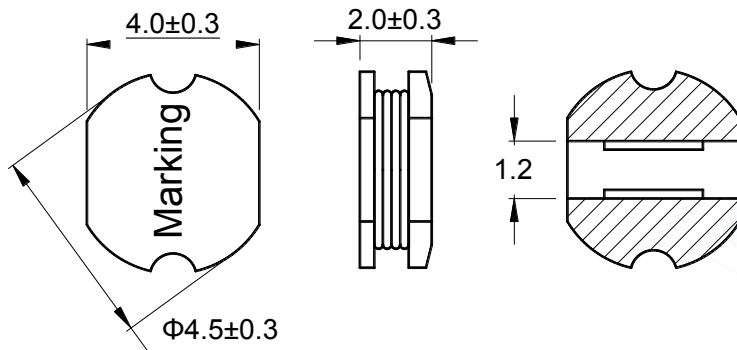


# SMD Power Inductor



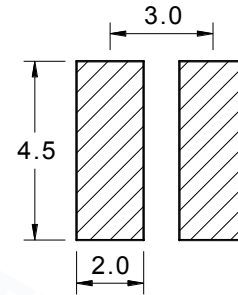
## 1 Appearance and dimensions (mm)

外形尺寸



## 2 Reference land pattern (mm)

参考基板尺寸



## 3 Electrical characteristics

电气特性

Part No. 型号	Inductance (μH) 电感值 ※1	D.C.R. (mΩ) 直流电阻		Saturation current (A) 饱和电流 ※2		Temperature rise current (A) 温升电流 ※3
		Typical	Max	Typical	Max	Typical
ECD42-1R2M	1.20 ±20%	16.3	19.6	4.30	3.44	4.78
ECD42-2R5M	2.50 ±20%	40.0	48.0	3.00	2.40	3.01
ECD42-3R3M	3.30 ±20%	53.3	64.0	2.30	1.84	2.50
ECD42-4R7M	4.70 ±20%	70.1	84.1	2.10	1.68	2.30
ECD42-5R6M	5.60 ±20%	81.0	97.2	1.82	1.46	2.14
ECD42-6R8M	6.80 ±20%	95.0	114	1.78	1.42	1.98
ECD42-8R2M	8.20 ±20%	112	134	1.62	1.30	1.82
ECD42-100K	10.0 ±10%	138	166	1.38	1.10	1.64
ECD42-120K	12.0 ±10%	160	192	1.22	0.98	1.52
ECD42-150K	15.0 ±10%	210	252	1.19	0.95	1.33
ECD42-180K	18.0 ±10%	257	308	1.15	0.92	1.20
ECD42-220K	22.0 ±10%	290	348	1.00	0.80	1.13
ECD42-270K	27.0 ±10%	395	474	0.85	0.68	0.94
ECD42-330K	33.0 ±10%	465	558	0.78	0.62	0.86
ECD42-390K	39.0 ±10%	515	618	0.75	0.60	0.82
ECD42-470K	47.0 ±10%	680	816	0.63	0.50	0.71
ECD42-560K	56.0 ±10%	760	912	0.60	0.48	0.68
ECD42-680K	68.0 ±10%	956	1,147	0.55	0.44	0.60
ECD42-820K	82.0 ±10%	1,100	1,320	0.48	0.38	0.56
ECD42-101K	100 ±10%	1,400	1,680	0.46	0.37	0.46
ECD42-121K	120 ±10%	1,540	1,848	0.44	0.35	0.44
ECD42-151K	150 ±10%	2,120	2,544	0.36	0.29	0.36

All data is tested based on 25°C ambient temperature. 所有测试数据基于环境温度25°C条件下测试。

※1. Inductance measure condition at 100kHz, 0.1V. 电感测试条件为100kHz, 0.1V。

※2. Saturation current the actual value of DC current when the inductance decrease 20% of its initial value.  
饱和电流: 电感值下降其初始值的20%时所加载的实际直流电流值。

※3. Temperature rise current the actual value of DC current when the temperature rise is ΔT40 (Ta=25).  
温升电流: 使产品温度上升到ΔT40°C时所加载的实际直流电流值(Ta=25°C)



Balun Transformer | Coupler | Divider | Inductor | Choke | Bead Air Coil | LAN Transformer