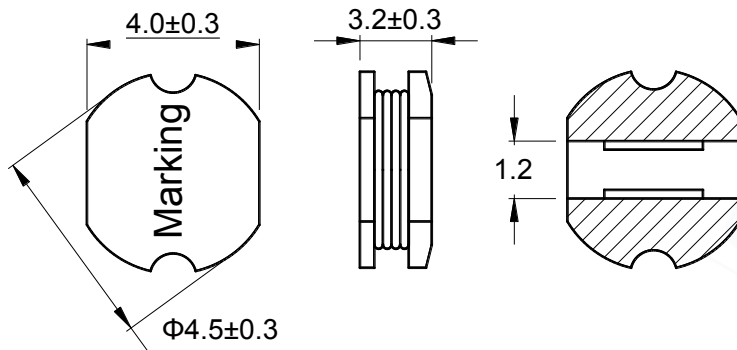


SMD Power Inductor



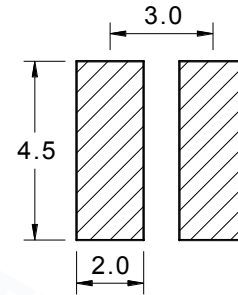
1 Appearance and dimensions (mm)

外形尺寸



2 Reference land pattern (mm)

参考基板尺寸



3 Electrical characteristics 电气特性

| Part No. 型号 | Inductance (μH) 电感值 ※1 | D.C.R. (mΩ) 直流电阻 | | Saturation current (A) 饱和电流 ※2 | | Temperature rise current (A) 温升电流 ※3 |
|----------------|---------------------------|---------------------|--------|-----------------------------------|------|---|
| | | Typical | Max | Typical | Max | Typical |
| ECD43-1R0M | 1.00 ±20% | 12.8 | 15.4 | 5.30 | 4.24 | 5.18 |
| ECD43-2R2M | 2.20 ±20% | 24.6 | 29.5 | 3.30 | 2.64 | 3.81 |
| ECD43-3R3M | 3.30 ±20% | 34.3 | 41.2 | 2.60 | 2.08 | 3.19 |
| ECD43-4R7M | 4.70 ±20% | 44.0 | 52.8 | 2.20 | 1.76 | 2.82 |
| ECD43-6R8M | 6.80 ±20% | 64.0 | 76.8 | 1.92 | 1.54 | 2.34 |
| ECD43-8R2M | 8.20 ±20% | 72.0 | 86.4 | 1.70 | 1.36 | 2.20 |
| ECD43-100K | 10.0 ±10% | 100 | 120 | 1.60 | 1.28 | 1.87 |
| ECD43-120K | 12.0 ±10% | 109 | 131 | 1.38 | 1.10 | 1.79 |
| ECD43-150K | 15.0 ±10% | 128 | 154 | 1.30 | 1.04 | 1.51 |
| ECD43-180K | 18.0 ±10% | 150 | 180 | 1.20 | 0.96 | 1.39 |
| ECD43-220K | 22.0 ±10% | 186 | 223 | 1.08 | 0.86 | 1.25 |
| ECD43-270K | 27.0 ±10% | 221 | 265 | 0.95 | 0.76 | 1.15 |
| ECD43-330K | 33.0 ±10% | 290 | 348 | 0.88 | 0.70 | 1.00 |
| ECD43-390K | 39.0 ±10% | 340 | 408 | 0.82 | 0.66 | 0.93 |
| ECD43-470K | 47.0 ±10% | 385 | 462 | 0.74 | 0.59 | 0.88 |
| ECD43-560K | 56.0 ±10% | 490 | 588 | 0.68 | 0.54 | 0.77 |
| ECD43-680K | 68.0 ±10% | 660 | 792 | 0.63 | 0.50 | 0.66 |
| ECD43-820K | 82.0 ±10% | 750 | 900 | 0.56 | 0.45 | 0.62 |
| ECD43-101K | 100 ±10% | 940 | 1,128 | 0.54 | 0.43 | 0.56 |
| ECD43-121K | 120 ±10% | 1,000 | 1,200 | 0.47 | 0.38 | 0.54 |
| ECD43-151K | 150 ±10% | 1,160 | 1,392 | 0.43 | 0.34 | 0.50 |
| ECD43-181K | 180 ±10% | 1,440 | 1,728 | 0.39 | 0.31 | 0.45 |
| ECD43-221K | 220 ±10% | 1,930 | 2,316 | 0.36 | 0.29 | 0.39 |
| ECD43-271K | 270 ±10% | 2,150 | 2,580 | 0.31 | 0.25 | 0.37 |
| ECD43-331K | 330 ±10% | 2,850 | 3,420 | 0.30 | 0.24 | 0.32 |
| ECD43-391K | 390 ±10% | 3,200 | 3,840 | 0.26 | 0.21 | 0.30 |
| ECD43-471K | 470 ±10% | 3,660 | 4,392 | 0.24 | 0.19 | 0.28 |
| ECD43-561K | 560 ±10% | 4,990 | 5,988 | 0.21 | 0.17 | 0.24 |
| ECD43-681K | 680 ±10% | 5,560 | 6,672 | 0.20 | 0.16 | 0.23 |
| ECD43-821K | 820 ±10% | 7,200 | 8,640 | 0.19 | 0.15 | 0.20 |
| ECD43-102K | 1,000 ±10% | 8,500 | 10,200 | 0.16 | 0.13 | 0.18 |

All data is tested based on 25 °C ambient temperature. 所有测试数据基于环境温度25°C条件下测试。

※1. Inductance measure condition at 100kHz, 0.1V. 电感测试条件为100kHz, 0.1V。

※2. Saturation current the actual value of DC current when the inductance decrease 20% of its initial value.
饱和电流：电感值下降其初始值的20%时所加载的实际直流电流值。

※3. Temperature rise current the actual value of DC current when the temperature rise is ΔT40 (Ta=25).
温升电流：使产品温度上升到ΔT40 °C时所加载的实际直流电流值(Ta=25 °C)



Balun Transformer | Coupler | Divider | Inductor | Choke | Bead Air Coil | LAN Transformer