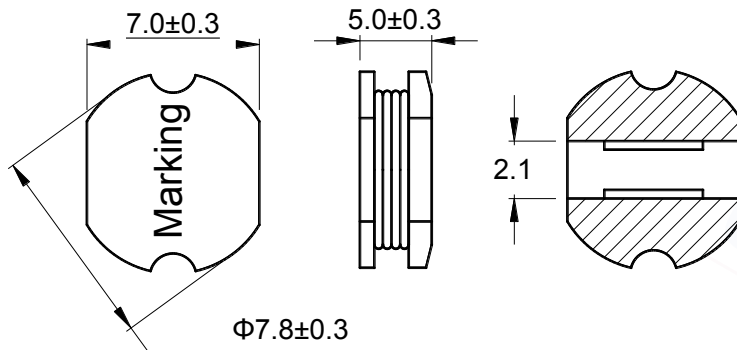


SMD Power Inductor



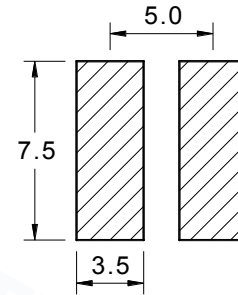
1 Appearance and dimensions (mm)

外形尺寸



2 Reference land pattern (mm)

参考基板尺寸



3 Electrical characteristics 电气特性

Part No. 型号	Inductance (μH) 电感值 ※1	D.C.R. (mΩ) 直流电阻		Saturation current (A) 饱和电流 ※2		Temperature rise current (A) 温升电流 ※3
		Typical	Max	Typical	Max	Typical
ECD75-1R0M	1.00 ±20%	5.50	6.60	12.3	9.84	8.81
ECD75-2R2M	2.20 ±20%	9.40	11.3	7.80	6.24	6.60
ECD75-3R3M	3.30 ±20%	10.9	13.1	6.90	5.52	6.10
ECD75-4R7M	4.70 ±20%	16.0	19.2	5.50	4.40	5.22
ECD75-6R8M	6.80 ±20%	22.1	26.5	4.50	3.60	4.44
ECD75-8R2M	8.20 ±20%	24.0	28.8	4.30	3.44	4.26
ECD75-100K	10.0 ±10%	31.3	37.6	3.70	2.96	3.73
ECD75-120K	12.0 ±10%	37.2	44.6	3.45	2.76	3.43
ECD75-150K	15.0 ±10%	41.9	50.3	3.18	2.54	3.23
ECD75-180K	18.0 ±10%	52.0	62.4	2.90	2.32	2.82
ECD75-220K	22.0 ±10%	63.4	76.1	2.60	2.08	2.54
ECD75-270K	27.0 ±10%	73.0	87.6	2.38	1.90	2.37
ECD75-330K	33.0 ±10%	89.0	107	2.10	1.68	2.15
ECD75-390K	39.0 ±10%	111	133	1.95	1.56	1.92
ECD75-470K	47.0 ±10%	136	163	1.75	1.40	1.74
ECD75-560K	56.0 ±10%	149	179	1.65	1.32	1.66
ECD75-680K	68.0 ±10%	200	240	1.45	1.16	1.43
ECD75-820K	82.0 ±10%	222	266	1.30	1.04	1.29
ECD75-101K	100 ±10%	270	324	1.25	1.00	1.23
ECD75-121K	120 ±10%	315	378	1.12	0.90	1.07
ECD75-151K	150 ±10%	427	512	1.00	0.80	1.00
ECD75-181K	180 ±10%	528	634	0.91	0.73	0.90
ECD75-221K	220 ±10%	608	730	0.81	0.65	0.84
ECD75-271K	270 ±10%	700	840	0.75	0.60	0.78
ECD75-331K	330 ±10%	914	1,097	0.66	0.53	0.68
ECD75-391K	390 ±10%	1,035	1,242	0.62	0.50	0.64
ECD75-471K	470 ±10%	1,300	1,560	0.56	0.45	0.57
ECD75-561K	560 ±10%	1,500	1,800	0.51	0.41	0.53
ECD75-681K	680 ±10%	1,760	2,112	0.46	0.37	0.50
ECD75-821K	820 ±10%	2,260	2,712	0.41	0.33	0.44
ECD75-102K	1,000 ±10%	2,590	3,108	0.38	0.30	0.38

All data is tested based on 25°C ambient temperature. 所有测试数据基于环境温度25°C条件下测试。

※1. Inductance measure condition at 100kHz, 0.1V. 电感测试条件为100kHz, 0.1V。

※2. Saturation current the actual value of DC current when the inductance decrease 20% of its initial value.
饱和电流: 电感值下降其初始值的20%时所加载的实际直流电流值。

※3. Temperature rise current the actual value of DC current when the temperature rise is ΔT40 (Ta=25).
温升电流: 使产品温度上升到ΔT40°C时所加载的实际直流电流值(Ta=25°C)



Balun Transformer | Coupler | Divider | Inductor | Choke | Bead Air Coil | LAN Transformer