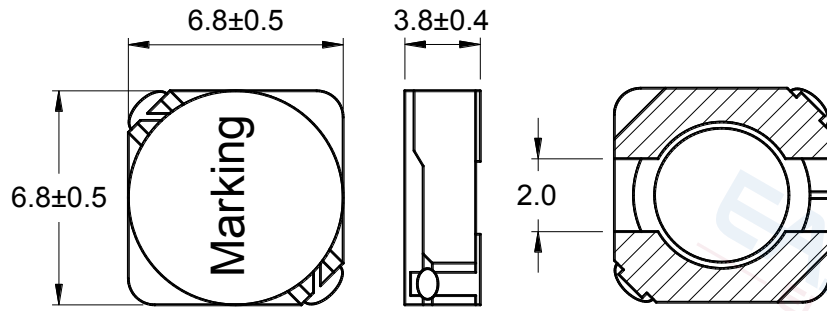


SMD Power Inductor



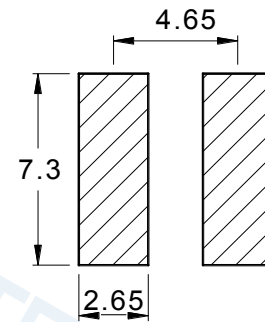
1 Appearance and dimensions (mm)

外形尺寸



2 Reference land pattern (mm)

参考基板尺寸



3 Electrical characteristics

电气特性

Part No. 型号	Inductance (μH) 电感值 ※1	D.C.R. (mΩ) 直流电阻		Saturation current (A) 饱和电流 ※2		Temperature rise current (A) 温升电流 ※3
		Typical	Max	Typical	Max	Typical
ED6D38-1R0N	1.00 ±30%	11.0	13.2	7.50	6.00	5.33
ED6D38-2R2N	2.20 ±30%	14.0	16.8	5.10	4.08	4.73
ED6D38-3R3N	3.30 ±30%	18.0	21.6	4.10	3.28	4.17
ED6D38-4R7N	4.70 ±30%	23.0	27.6	3.70	2.96	3.69
ED6D38-6R8N	6.80 ±30%	27.0	32.4	3.00	2.40	3.40
ED6D38-8R2N	8.20 ±30%	36.7	44.0	2.55	2.04	2.92
ED6D38-100M	10.0 ±20%	39.0	46.8	2.40	1.92	2.83
ED6D38-120M	12.0 ±20%	48.7	58.4	2.20	1.76	2.53
ED6D38-150M	15.0 ±20%	58.5	70.2	1.90	1.52	2.31
ED6D38-220M	22.0 ±20%	86.0	103	1.65	1.32	1.91
ED6D38-270M	27.0 ±20%	100	120	1.45	1.16	1.77
ED6D38-330M	33.0 ±20%	112	134	1.35	1.08	1.67
ED6D38-390M	39.0 ±20%	146	175	1.20	0.96	1.46
ED6D38-470M	47.0 ±20%	156	187	1.10	0.88	1.42
ED6D38-560M	56.0 ±20%	186	223	1.00	0.80	1.30
ED6D38-680M	68.0 ±20%	240	288	0.90	0.72	1.14
ED6D38-820M	82.0 ±20%	268	322	0.80	0.64	1.08
ED6D38-101M	100 ±20%	348	418	0.75	0.60	0.95
ED6D38-151M	150 ±20%	500	600	0.62	0.50	0.79
ED6D38-221M	220 ±20%	675	810	0.51	0.41	0.68
ED6D38-271M	270 ±20%	840	1,008	0.45	0.36	0.61
ED6D38-331M	330 ±20%	1,065	1,278	0.42	0.34	0.54
ED6D38-391M	390 ±20%	1,175	1,410	0.39	0.31	0.52
ED6D38-471M	470 ±20%	1,700	2,040	0.35	0.28	0.43
ED6D38-561M	560 ±20%	1,860	2,232	0.33	0.26	0.41
ED6D38-681M	680 ±20%	2,470	2,964	0.29	0.23	0.36
ED6D38-821M	820 ±20%	3,130	3,756	0.27	0.22	0.32
ED6D38-102M	1,000 ±20%	3,580	4,296	0.24	0.19	0.30

All data is tested based on 25°C ambient temperature. 所有测试数据基于环境温度25°C条件下测试。

※1. Inductance measure condition at 100kHz, 0.1V. 电感测试条件为100kHz, 0.1V。

※2. Saturation current the actual value of DC current when the inductance decrease 20% of its initial value.

饱和电流: 电感值下降其初始值的20%时所加载的实际直流电流值。

※3. Temperature rise current the actual value of DC current when the temperature rise is ΔT40 (Ta=25) .

温升电流: 使产品温度上升到ΔT40°C时所加载的实际直流电流值(Ta=25°C)



Balun Transformer | Coupler | Divider | Inductor | Choke | Bead Air Coil | LAN Transformer