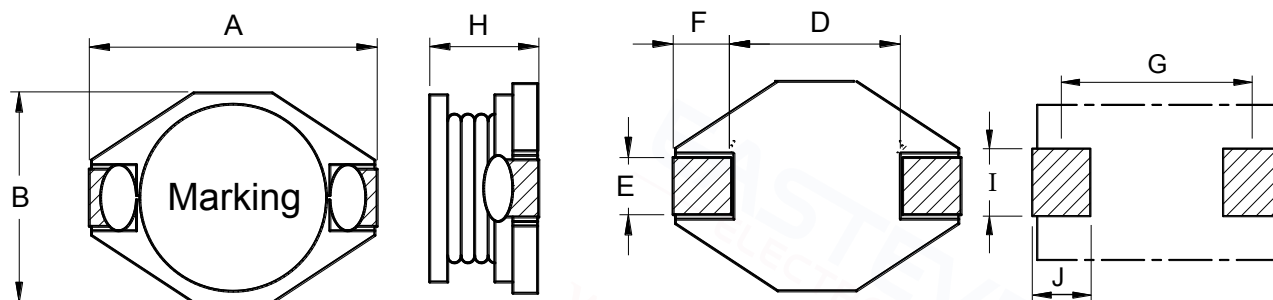


EF3310 Series Dimension Diagram(unit: mm)



Part No	A(Max)	B(Max)	H(Max)	D(Ref)	E(Ref)	F(Ref)	G(Ref)	I	J
EF3310	13.0±0.5	9.3±0.3	3.50	7.62	2.54	2.54	10.50	3.50	3.50

EF3310 Series Electrical Characteristics:

PART NO.	L (μH)	L TEST	DCR (Ω)	IDC (A)
	INDUCTANCE	FREQUENCY	MAX	MAX
EF3310-1R0M	1.0	100 KHZ	0.021	5.60
EF3310-1R5M	1.5	100 KHZ	0.022	5.20
EF3310-2R2M	2.2	100 KHZ	0.032	5.00
EF3310-3R3M	3.3	100 KHZ	0.039	3.90
EF3310-4R7M	4.7	100 KHZ	0.054	3.20
EF3310-6R8M	6.8	100 KHZ	0.075	2.80
EF3310-100M	10.0	100 KHZ	0.101	2.40
EF3310-150M	15.0	100 KHZ	0.150	2.00
EF3310-220M	22.0	100 KHZ	0.207	1.60
EF3310-330N	33.0	100 KHZ	0.334	1.40
EF3310-470M	47.0	100 KHZ	0.472	1.00
EF3310-680M	68.0	100 KHZ	0.660	0.90
EF3310-101M	100.0	100 KHZ	1.110	0.80
EF3310-151M	150.0	100 KHZ	1.550	0.60
EF3310-221M	220.0	100 KHZ	2.000	0.50
EF3310-331M	330.0	100 KHZ	3.100	0.43
EF3310-471M	470.0	100 KHZ	4.200	0.39
EF3310-681M	680.0	100 KHZ	5.500	0.35
EF3310-102M	1000.0	100 KHZ	8.300	0.32