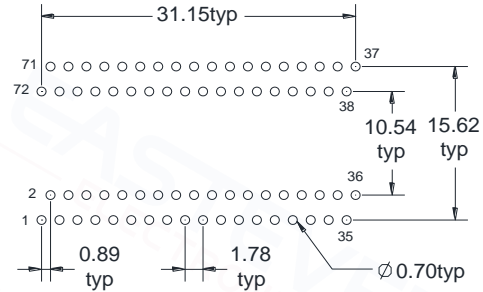


# LAN Transformer

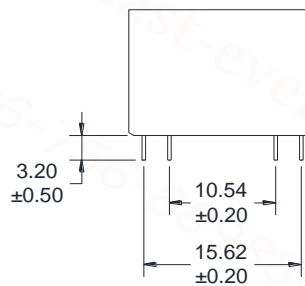
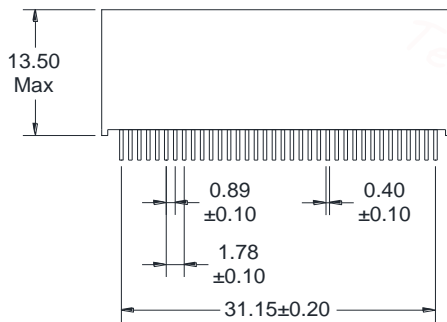
100/1000 BASE-T EP72K01T G

REV: 1

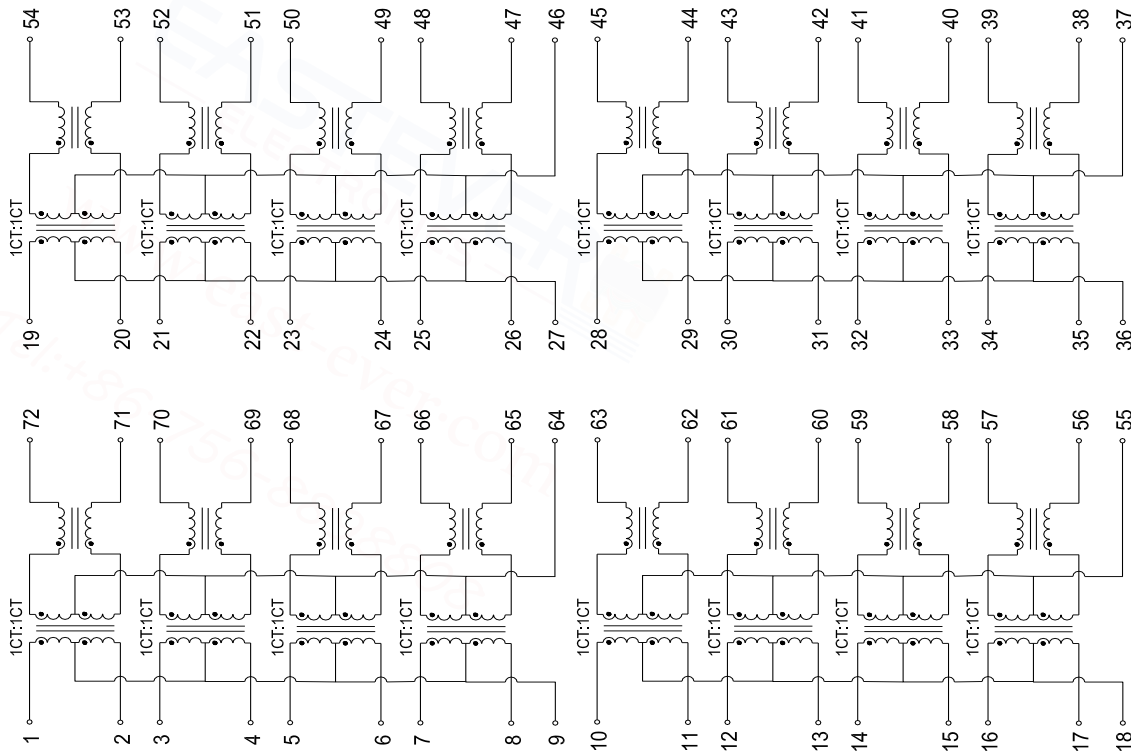
## A. MECHANICAL(unit:mm)



SUGGESTED PAD LAYOUT



## B. SCHEMATICS



# LAN Transformer

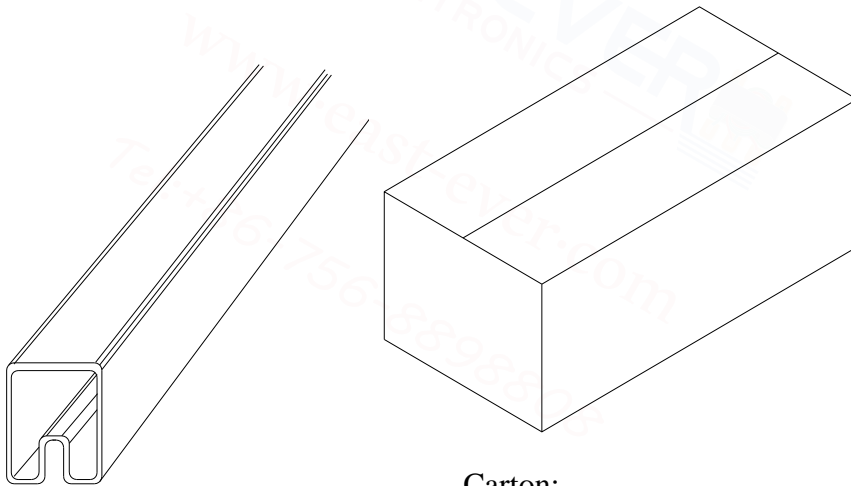
100/1000 BASE-T EP72K01T G

REV: 1

## C. ELECTRICAL SPECIFICATIONS @25°C

1. OCL: 350uH Min @ 100 KHz, 0.1V with 8mA DC BIAS
2. Leakage Inductance: 0.5uH Max @ 100KHz, 0.1V
3. DCR: 1400mΩ Max
4. Turns Ratio: 1CT:1CT±5%
5. Insertion Loss: -1.1 dB Max @ 1-100 MHz
6. Return Loss: -18 dB Min @ 1-30 MHz
  - 14.4 dB Min @ 40 MHz
  - 13.1 dB Min @ 50 MHz
  - 12 dB Min @ 60-80 MHz
  - 10 dB Min @ 100 MHz
7. Cross Talk: -30 dB Min @ 1-100 MHz
8. Common Mode Rejection: -30 dB Min @ 1-100 MHz
9. Isolation Hipot: 1500VAC 1mA 60S
10. Operating temperature 0°C to +85°C
11. Storage temperature -40°C to +125°C

## D. PACKAGE INFORMATION



Carton:  
L550\*W255\*H195mm

Package Quantity:

One Tube=14Pcs

One Carton=14\*108=1512Pcs

