

SMD Power Inductor



Features

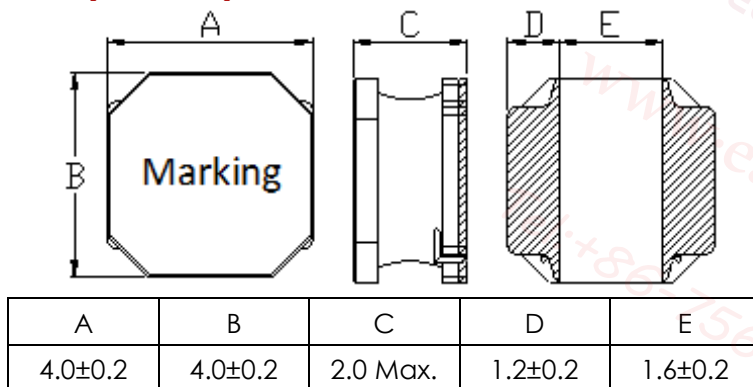
- ▶ Small and Low profile inductor
- ▶ It corresponds to High current.
- ▶ Simple and Shield structure.
- ▶ Takes up less PCB real estate and save more power
- ▶ Available tape and reel for auto insertion.
- ▶ RoHs compliant
- ▶ Halogen-Free



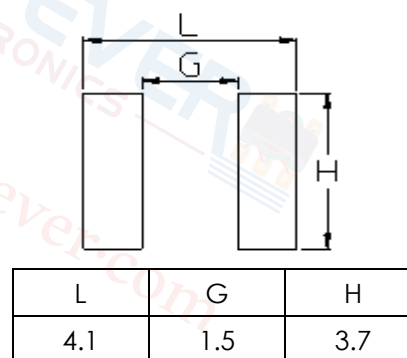
Applications

- ▶ For small DC/DC converter (cellular Phone, LCD/LED/OLED display etc).

Dimension (Unit:mm)



Land Pattern (Unit:mm)



Specifications

Part Number	Inductance (μH)	Tolerance (±)	DCR (mΩ) ±30%	Isat (A) Max.	Itemp (A) Max.	SRF (Min) (MHz)
EPNR4020-1R0N	1.0	30%	29	4.78	2.15	75
EPNR4020-1R5N	1.5	30%	35	4.45	1.98	71
EPNR4020-2R2N	2.2	30%	40	3.40	1.85	49
EPNR4020-3R3M	3.3	20%	70	3.20	1.40	44
EPNR4020-4R7M	4.7	20%	75	2.35	1.34	42
EPNR4020-6R8M	6.8	20%	125	2.00	1.04	33
EPNR4020-100M	10	20%	165	1.60	0.90	26
EPNR4020-150M	15	20%	230	1.35	0.77	24
EPNR4020-220M	22	20%	350	1.05	0.62	15
EPNR4020-330M	33	20%	550	0.85	0.49	11
EPNR4020-470M	47	20%	710	0.74	0.44	10
EPNR4020-680M	68	20%	1060	0.61	0.36	7.7
EPNR4020-820M	82	20%	1170	0.50	0.34	7.2
EPNR4020-101M	100	20%	1550	0.48	0.31	6.3

- Inductance Tested at 100kHz, 1Vrms (20°C)
- Isat: When based on the inductance change rate (approximately 30% below in the initial value)
- Itemp: When based on the temperature increase (Temperature increase of approximately 40°C by self heating)
- Operating Temperature Range(including self temperature) : -25°C ~ +125°C

Note 1 : Circuit design, component placement, PCB trace size and thickness, airflow and other cooling. Provision all affect the part Temperature. Part temperature should be verified in the end application