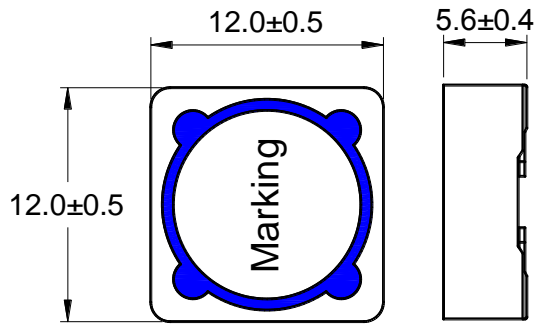


SMD Power Inductor

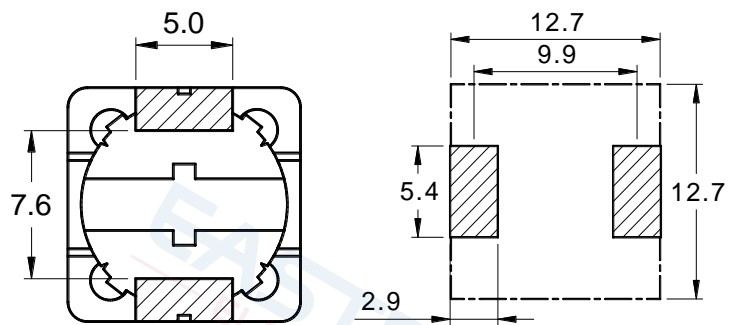
1 Appearance and dimensions (mm)

外形尺寸



2 Reference land pattern (mm)

参考基板尺寸



3 Electrical characteristics

电气特性

Part No. 型号	Inductance (μH) 电感值 ※1	D.C.R. (mΩ) 直流电阻		Saturation current (A) 饱和电流 ※2		Temperature rise current (A) 温升电流 ※3
		Typical	Max	Typical	Max	Typical
ERH125-1R0N	1.00 ±30%	7.10	8.52	21.0	16.8	6.75
ERH125-2R5N	2.50 ±30%	10.5	12.6	14.0	11.2	5.86
ERH125-3R3N	3.30 ±30%	12.4	14.9	12.0	9.60	5.66
ERH125-4R7N	4.70 ±30%	14.1	16.9	11.0	8.80	5.56
ERH125-6R8N	6.80 ±30%	18.5	22.1	8.50	6.80	5.06
ERH125-8R2N	8.20 ±30%	20.4	24.5	8.00	6.40	5.00
ERH125-100M	10.0 ±20%	22.4	26.9	7.50	6.00	4.93
ERH125-120M	12.0 ±20%	24.6	29.5	7.00	5.60	4.87
ERH125-150M	15.0 ±20%	29.0	34.8	5.80	4.64	4.35
ERH125-180M	18.0 ±20%	31.6	37.9	5.50	4.40	4.30
ERH125-220M	22.0 ±20%	35.6	42.7	5.00	4.00	4.31
ERH125-270M	27.0 ±20%	44.3	53.2	4.60	3.68	3.86
ERH125-330M	33.0 ±20%	50.0	60.0	4.30	3.44	3.63
ERH125-390M	39.0 ±20%	65.7	78.8	3.80	3.04	3.17
ERH125-470M	47.0 ±20%	72.4	86.9	3.50	2.80	3.02
ERH125-560M	56.0 ±20%	79.0	94.8	3.20	2.56	2.89
ERH125-680M	68.0 ±20%	104	125	2.80	2.24	2.52
ERH125-820M	82.0 ±20%	132	158	2.50	2.00	2.24
ERH125-101M	100 ±20%	149	179	2.30	1.84	2.07
ERH125-121M	120 ±20%	194	233	2.10	1.68	1.84
ERH125-151M	150 ±20%	223	267	1.90	1.52	1.72
ERH125-181M	180 ±20%	274	329	1.70	1.36	1.55
ERH125-221M	220 ±20%	311	373	1.55	1.24	1.46
ERH125-271M	270 ±20%	411	493	1.40	1.12	1.27
ERH125-331M	330 ±20%	487	584	1.30	1.04	1.16
ERH125-391M	390 ±20%	579	695	1.20	0.96	1.07
ERH125-471M	470 ±20%	747	896	1.10	0.88	0.94
ERH125-561M	560 ±20%	856	1,027	1.00	0.80	0.88
ERH125-681M	680 ±20%	1,080	1,296	0.90	0.72	0.78
ERH125-821M	820 ±20%	1,277	1,532	0.80	0.64	0.72
ERH125-102M	1,000 ±20%	1,450	1,740	0.75	0.60	0.67

All data is tested based on 25 C ambient temperature. 所有测试数据基于环境温度25 C条件下测试。

※1. Inductance measure condition at 100kHz, 0.1V. 电感测试条件为100kHz, 0.1V。

※2. Saturation current the actual value of DC current when the inductance decrease 20% of its initial value.
饱和电流：电感值下降其初始值的20%时所加载的实际直流电流值。

※3. Temperature rise current the actual value of DC current when the temperature rise is ΔT40 (Ta=25).
温升电流：使产品温度上升到ΔT40 C时所加载的实际直流电流值(Ta=25 C)