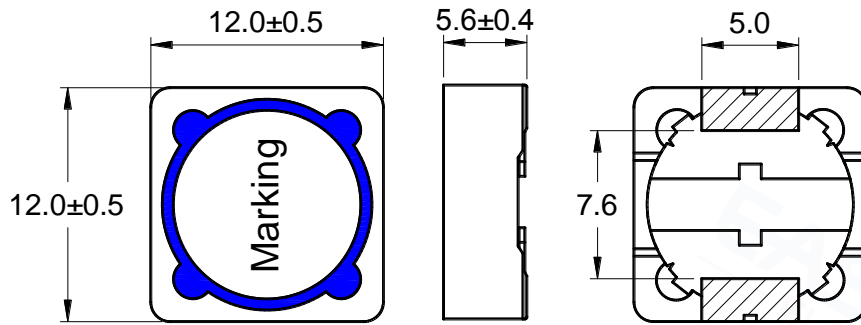


SMD Power Inductor



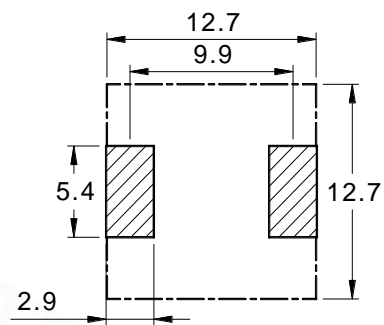
1 Appearance and dimensions (mm)

外形尺寸



2 Reference land pattern (mm)

参考基板尺寸



3 Electrical characteristics

电气特性

| Part No. 型号 | Inductance (μH) 电感值 ※1 | D.C.R. (mΩ) 直流电阻 | | Saturation current (A) 饱和电流 ※2 | | Temperature rise current (A) 温升电流 ※3 |
|----------------|---------------------------|---------------------|-------|--------------------------------------|------|--|
| | | Typical | Max | Typical | Max | Typical |
| ERH125-1R0N | 1.00 ±30% | 7.10 | 8.52 | 21.0 | 16.8 | 6.75 |
| ERH125-2R5N | 2.50 ±30% | 10.5 | 12.6 | 14.0 | 11.2 | 5.86 |
| ERH125-3R3N | 3.30 ±30% | 12.4 | 14.9 | 12.0 | 9.60 | 5.66 |
| ERH125-4R7N | 4.70 ±30% | 14.1 | 16.9 | 11.0 | 8.80 | 5.56 |
| ERH125-6R8N | 6.80 ±30% | 18.5 | 22.1 | 8.50 | 6.80 | 5.06 |
| ERH125-8R2N | 8.20 ±30% | 20.4 | 24.5 | 8.00 | 6.40 | 5.00 |
| ERH125-100M | 10.0 ±20% | 22.4 | 26.9 | 7.50 | 6.00 | 4.93 |
| ERH125-120M | 12.0 ±20% | 24.6 | 29.5 | 7.00 | 5.60 | 4.87 |
| ERH125-150M | 15.0 ±20% | 29.0 | 34.8 | 5.80 | 4.64 | 4.35 |
| ERH125-180M | 18.0 ±20% | 31.6 | 37.9 | 5.50 | 4.40 | 4.30 |
| ERH125-220M | 22.0 ±20% | 35.6 | 42.7 | 5.00 | 4.00 | 4.31 |
| ERH125-270M | 27.0 ±20% | 44.3 | 53.2 | 4.60 | 3.68 | 3.86 |
| ERH125-330M | 33.0 ±20% | 50.0 | 60.0 | 4.30 | 3.44 | 3.63 |
| ERH125-390M | 39.0 ±20% | 65.7 | 78.8 | 3.80 | 3.04 | 3.17 |
| ERH125-470M | 47.0 ±20% | 72.4 | 86.9 | 3.50 | 2.80 | 3.02 |
| ERH125-560M | 56.0 ±20% | 79.0 | 94.8 | 3.20 | 2.56 | 2.89 |
| ERH125-680M | 68.0 ±20% | 104 | 125 | 2.80 | 2.24 | 2.52 |
| ERH125-820M | 82.0 ±20% | 132 | 158 | 2.50 | 2.00 | 2.24 |
| ERH125-101M | 100 ±20% | 149 | 179 | 2.30 | 1.84 | 2.07 |
| ERH125-121M | 120 ±20% | 194 | 233 | 2.10 | 1.68 | 1.84 |
| ERH125-151M | 150 ±20% | 223 | 267 | 1.90 | 1.52 | 1.72 |
| ERH125-181M | 180 ±20% | 274 | 329 | 1.70 | 1.36 | 1.55 |
| ERH125-221M | 220 ±20% | 311 | 373 | 1.55 | 1.24 | 1.46 |
| ERH125-271M | 270 ±20% | 411 | 493 | 1.40 | 1.12 | 1.27 |
| ERH125-331M | 330 ±20% | 487 | 584 | 1.30 | 1.04 | 1.16 |
| ERH125-391M | 390 ±20% | 579 | 695 | 1.20 | 0.96 | 1.07 |
| ERH125-471M | 470 ±20% | 747 | 896 | 1.10 | 0.88 | 0.94 |
| ERH125-561M | 560 ±20% | 856 | 1,027 | 1.00 | 0.80 | 0.88 |
| ERH125-681M | 680 ±20% | 1,080 | 1,296 | 0.90 | 0.72 | 0.78 |
| ERH125-821M | 820 ±20% | 1,277 | 1,532 | 0.80 | 0.64 | 0.72 |
| ERH125-102M | 1,000 ±20% | 1,450 | 1,740 | 0.75 | 0.60 | 0.67 |

All data is tested based on 25 C ambient temperature. 所有测试数据基于环境温度25 C条件下测试。

※1. Inductance measure condition at 100kHz, 0.1V. 电感测试条件为100kHz, 0.1V。

※2. Saturation current the actual value of DC current when the inductance decrease 20% of its initial value.
饱和电流：电感值下降其初始值的20%时所加载的实际直流电流值。

※3. Temperature rise current the actual value of DC current when the temperature rise is ΔT40 (Ta=25).
温升电流：使产品温度上升到ΔT40 C时所加载的实际直流电流值(Ta=25 C)