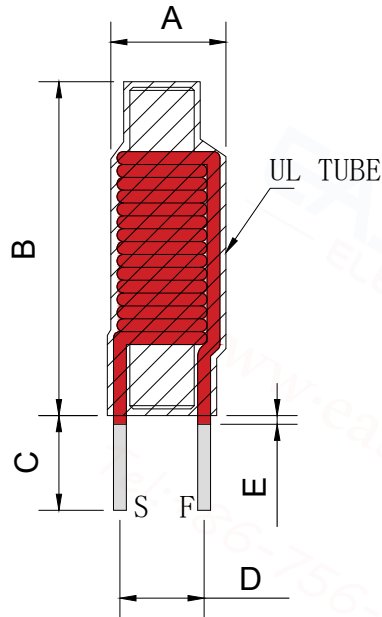


1、 DIMENSION DIAGRAM (Unit:mm)



A=8.0 Max B=21.0 Max C=6.0±1.0 D=5.0±0.5 E=0.5 Max

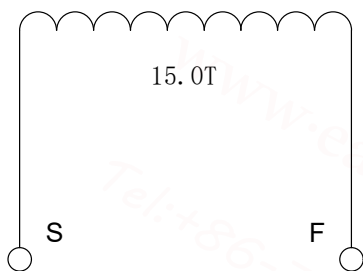
、 BILL OF MATERIALS :

R Core: R4X20 Ferrite Material

Copper Wire: QZY/180-0.80

Epoxy: TH308

3、 ELECTRICAL STRUCTURE:



4、 ELECTRICAL CHARACTERISTICS:

Turns : 15.0TS(FIXED)

Test Frequency : 10KHz/0.3V

Inductance : 3.7uH ± 20%

DC R : 10.0mΩ Max

Operating Temperature Range: °C .2 °C

&² μᵃᵃ Tᵃᵃ 3 ᵃᵃ μᵃ, μᵃ Rᵃᵃᵃᵃ °C .2 25°C