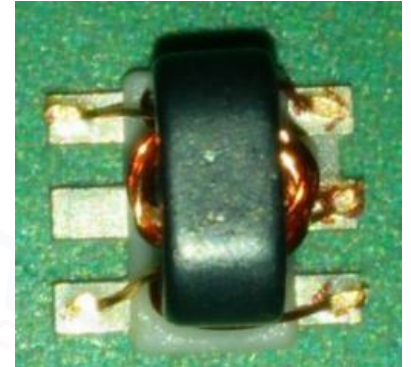


Features::

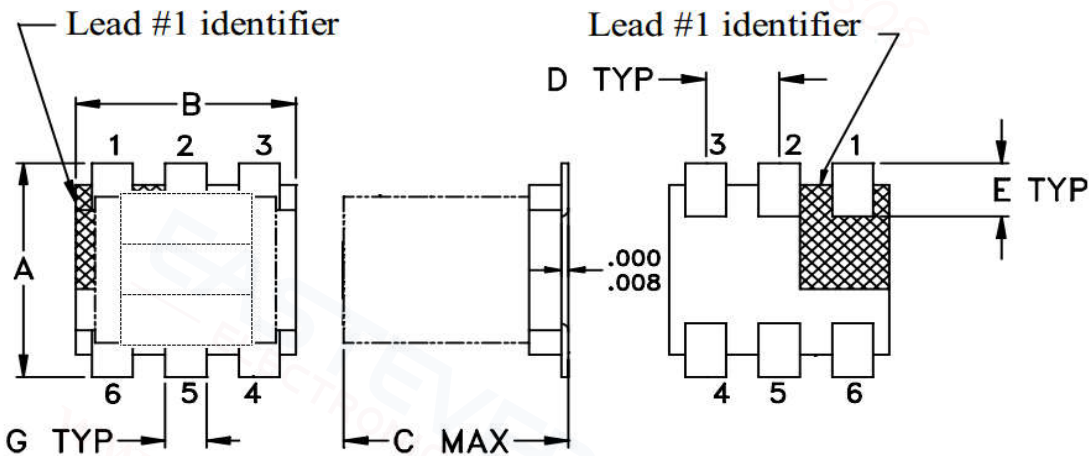
- ◆ 1:1CT Impedance
- ◆ 50Ω Impedance
- ◆ Frequency: 0.3to750 MHz
- ◆ RF power: 0.25W
- ◆ DC current: 30mA
- ◆ Operating temperature range: -40°C to +85°C
- ◆ Storage temperature range: -55°C to +100°C



Applications:

- ◆ For broadband and wireless communications
- ◆ For VHF/UHF receivers/transmitters and push-pull amplifiers

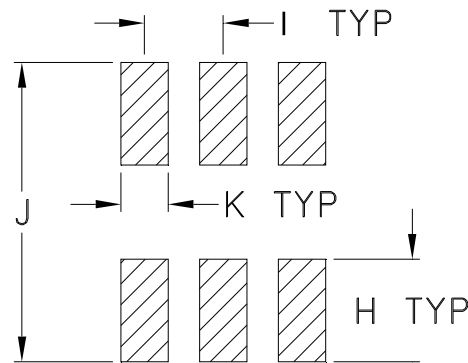
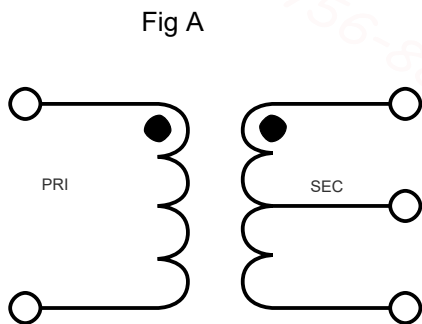
Dimension Diagram (Unit:mm) :



A=4.20±0.20 B=3.80±0.20 C=2.80±0.20 D=1.27±0.05 E=0.70±0.05

Electrical structure:

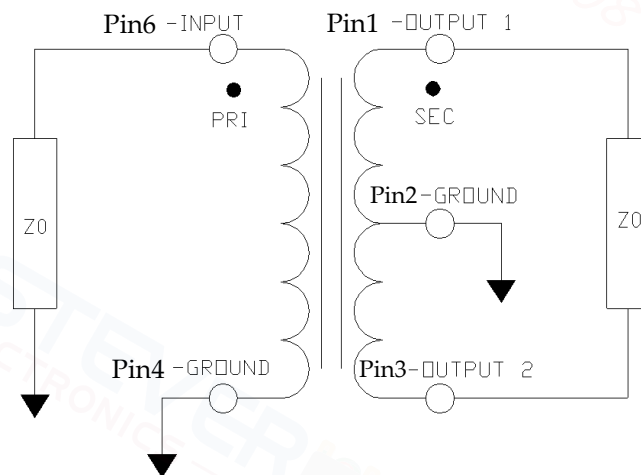
Recommended layout:



H=1.65 I=1.27 J=4.80 K=0.76

Pin configuration:

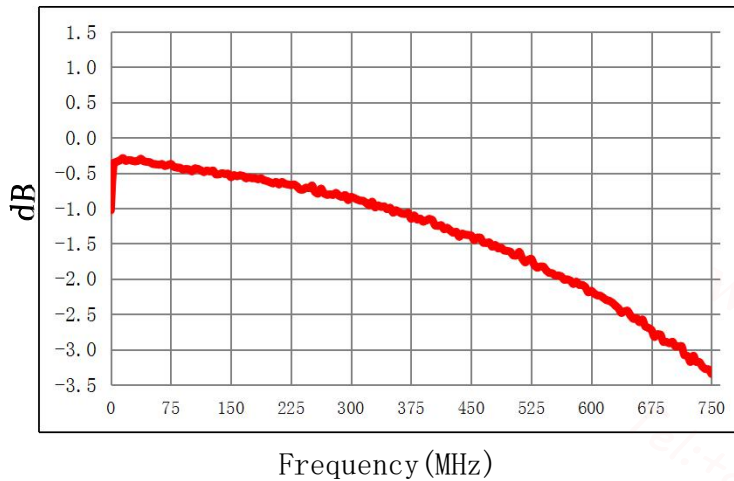
Pin No.	Function
1	Secondary dot (Output 1)
2	Centre tap (Ground)
3	Secondary (Output 2)
4	Primary (Ground)
6	Primary dot (Input)

Application circuit :

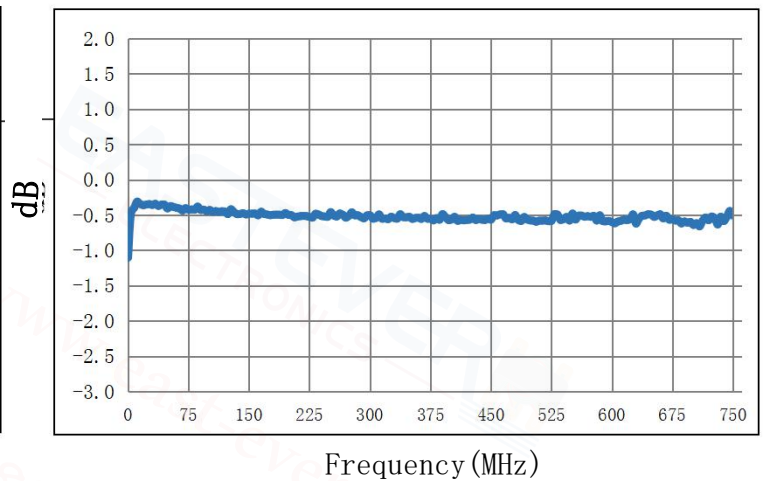
Electrical Specifications: TA=25 0dBm, Z0=50Ω

Parameter	Test Conditions	Units	Min	Typ	Max
Main line Loss(out1)	0.3-750MHz	dB	—	0.50	3.80
Main line Loss(out2)	0.3-750MHz	dB	—	0.50	1.50
Amplitude Balance	0.3-750MHz	dB	—	±0.50	±3.00
Phase Balance	0.3-750MHz	Degrees	—	±5.00	±10.00
Input Return Loss	0.3-750MHz	dB	5.00	15.00	—

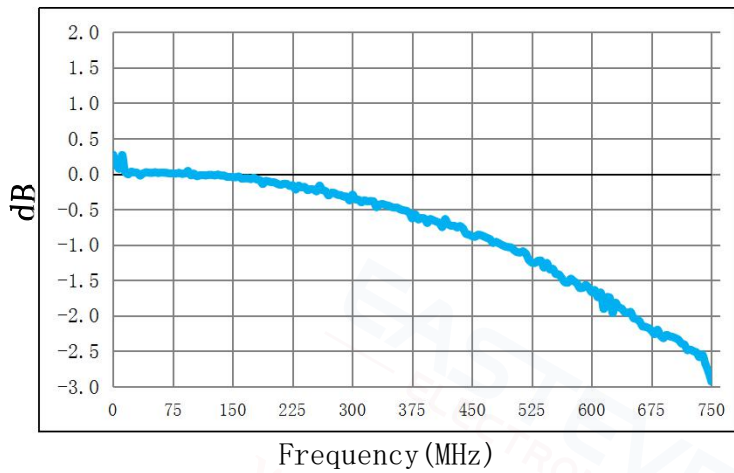
Main line Loss(out1)



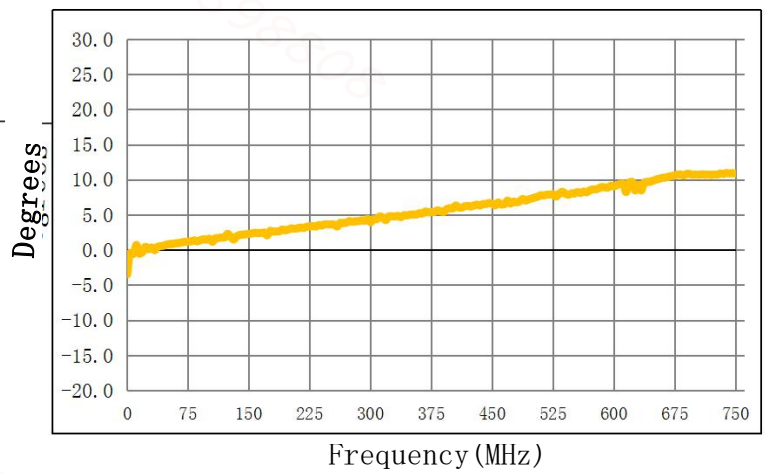
Main line Loss(out2)



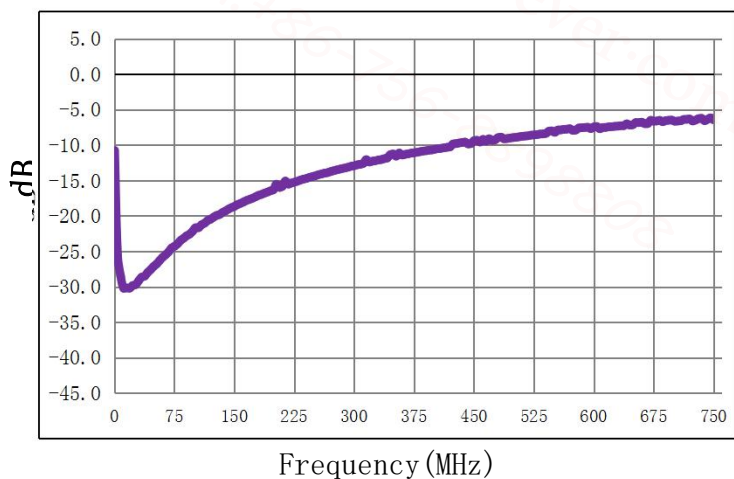
Amplitude Balance



Phase Balance

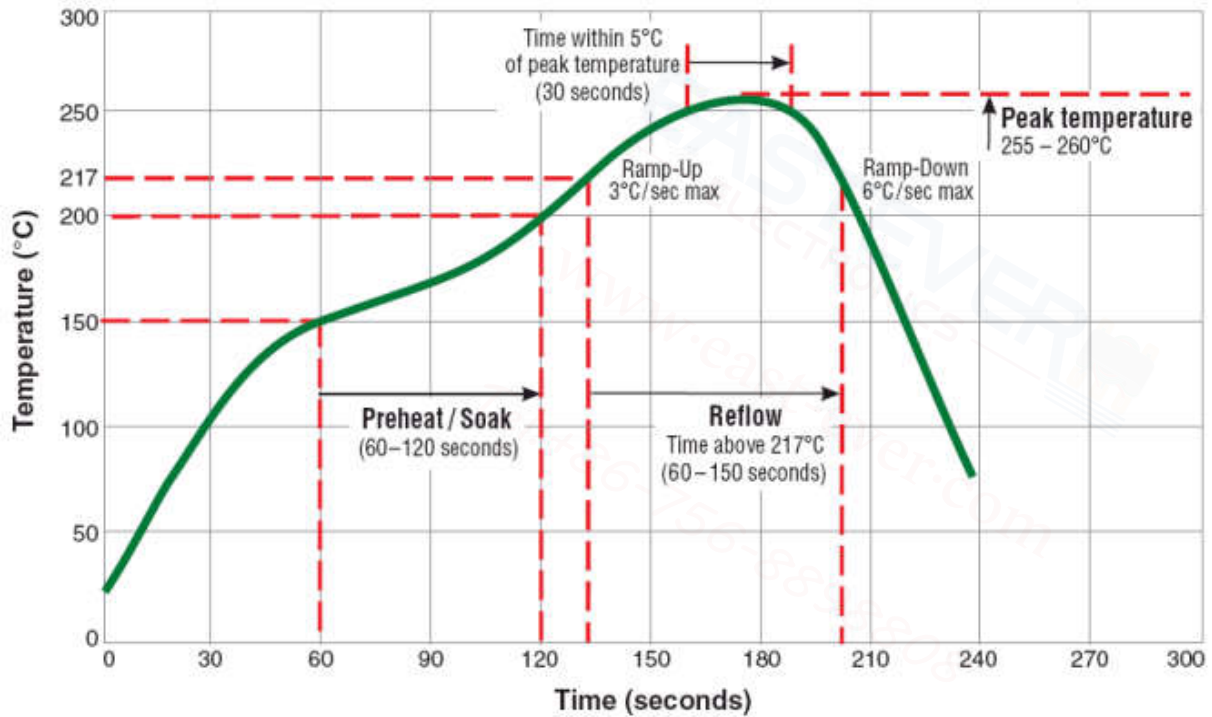


Input Return Loss

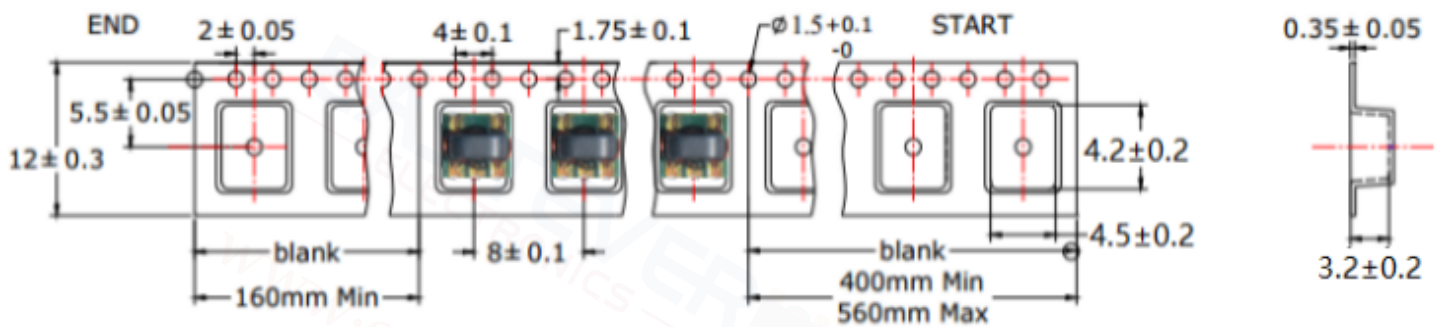


Recommended Soldering Temperature Graph:

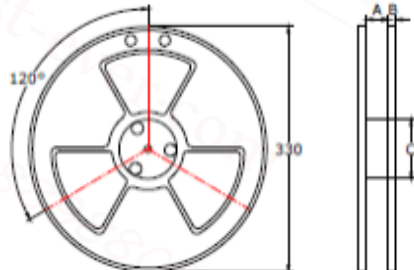
Typical RoHS Reflow Profile



Packing Dimension For Caeier Tape(UNIT:mm):



QUANTITY
2000PCS/Reel
4Reels/Middle Carton
4 Middle Cartons/Big Carton
32000PCS/ Big Carton



SPEC	8	12	16	24
DIM A±0.1	8.5	12.5	16.5	24.5
DIM B±0.1	2.3	2.3	2.3	2.3
DIM C±0.1	100	100	100	100

