

**Features::**

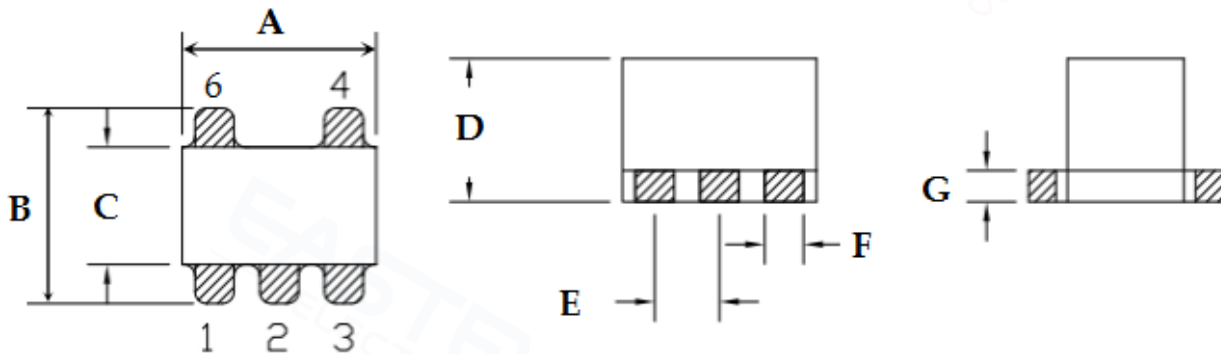
- ◆ 75Ω Impedance
- ◆ RoHS\* compliant
- ◆ 260°C Reflow Compatible
- ◆ RF Power, 0.25W, DC Current, 30 mA
- ◆ Operating temperature range: -40°C to +85°C
- ◆ Storage temperature range: -55°C to +100°C



**Applications:**

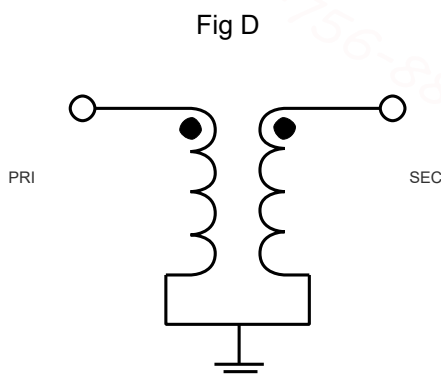
- ◆ For Docsis 3.0 & 3.1 Cable Modem.
- ◆ For Wideband Push-pull Amplifiers.
- ◆ For CATV Amplifiers Module & Set top box.
- ◆ For CATV Optical Receivers and Amplifiers.
- ◆ For VHF/UHF Transmitters and Push-pull Amplifiers.

**Dimension Diagram (Unit:mm) :**

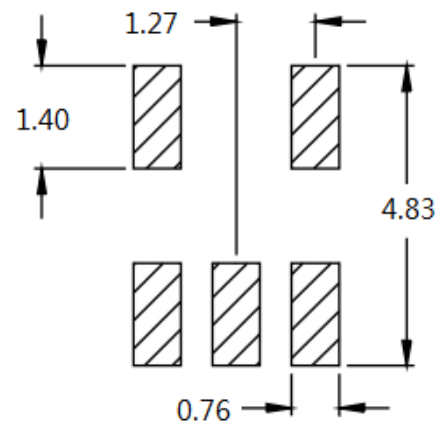


A=3.80±0.20 B=3.80±0.20 C=2.30±0.20 D=2.80±0.20 E=1.27±0.10 F=0.76±0.10 G=0.60±0.10

**Electrical structure:**



**Recommended layout:**



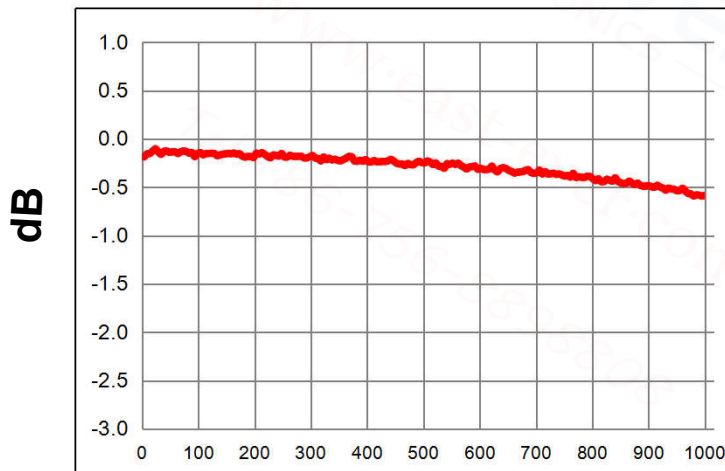
## Pin Configuration:

Pin No.	Function
1	Ground
2,6	Not Connected
4	Primary Dot(e.g. 75 Ohm)
3	Secondary Dot(e.g. 25 Ohm)

## Electrical Specifications: TA=25°C, 0dBm, Z0=75Ω:

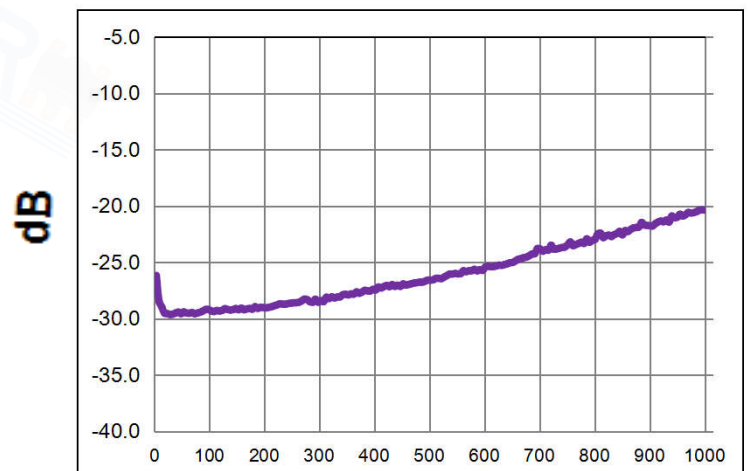
Parameter	Test Conditions	Units	Min	Typ	Max
Main line Loss	5-1000MHz	dB	—	0.5	1.1
Input Return Loss	5-1000MHz	dB	16.0	25.0	—

## Main line Loss



Frequency(MHz)

## Input Return Loss



Frequency(MHz)