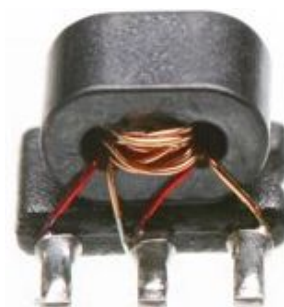


**Features::**

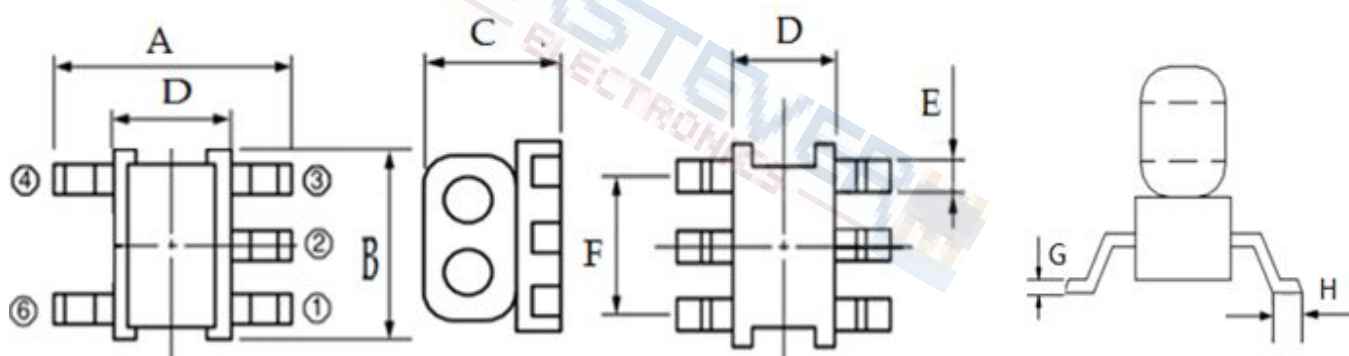
- ◆ 1: 4CT Impedance
- ◆ 50Ω Characteristic Impedance
- ◆ Frequency: 8to 750 MHz
- ◆ RF power: 0.50W
- ◆ DC current: 30mA
- ◆ Operating temperature range: -40°C to +85°C
- ◆ Storage temperature range: -55°C to +100°C



**Applications:**

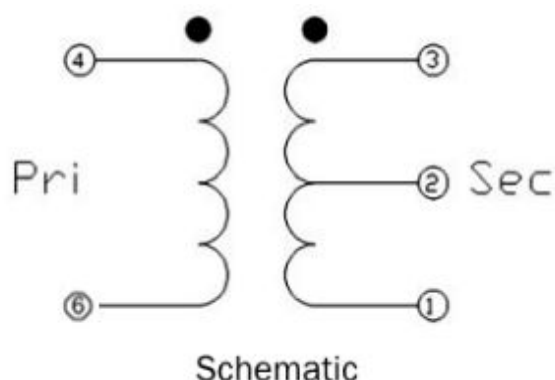
- ◆ For broadband and wireless communications
- ◆ For VHF/UHF receivers/transmitters and push-pull amplifiers

**Dimension Diagram (Unit:mm) :**

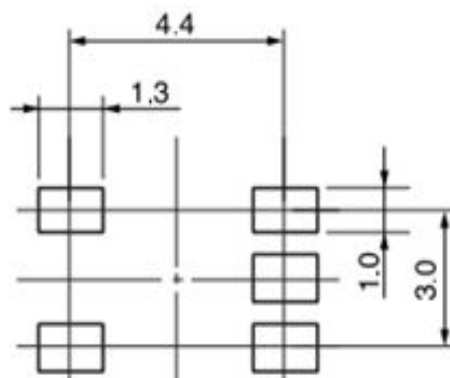


A=5.30±0.20 B=4.30±0.20 C=3.50±0.20 D=2.80±0.20 E=0.55±0.05 F=3.00±0.05 G=0.25±0.05 H=0.60±0.05

**Electrical structure:**



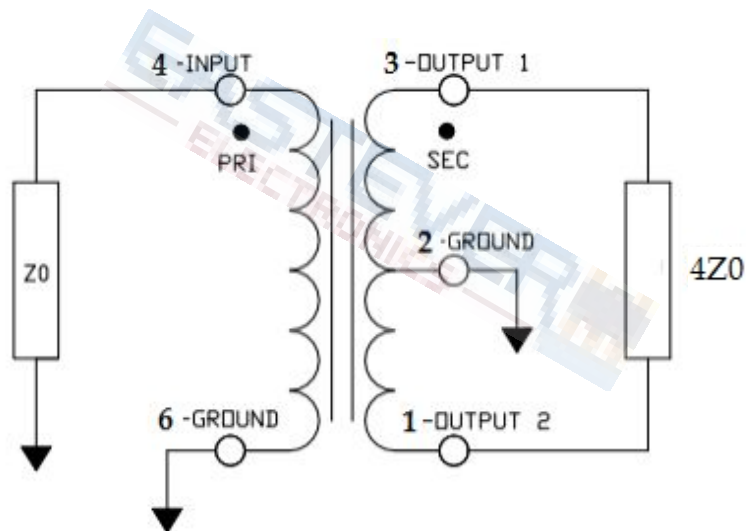
**Recommended layout:**



## Pin configuration

Pin no.	Function
1	Secondary (Output 2)
2	Centre tap (Ground)
3	Secondary dot (Output 1)
4	Primary dot (Input)
6	Primary (Ground)

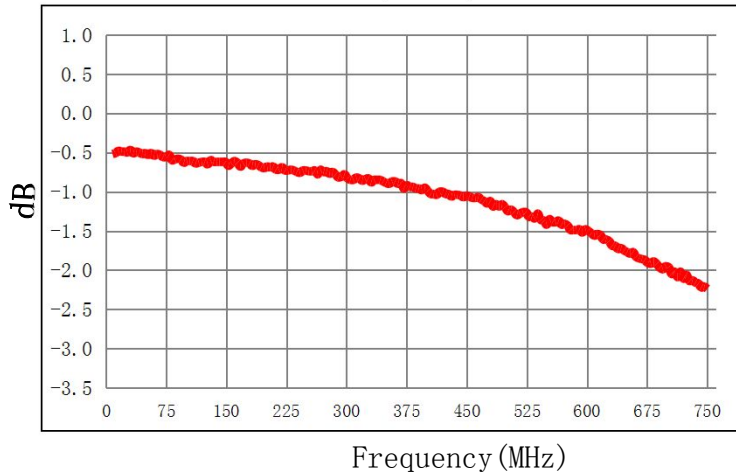
## Application circuit :



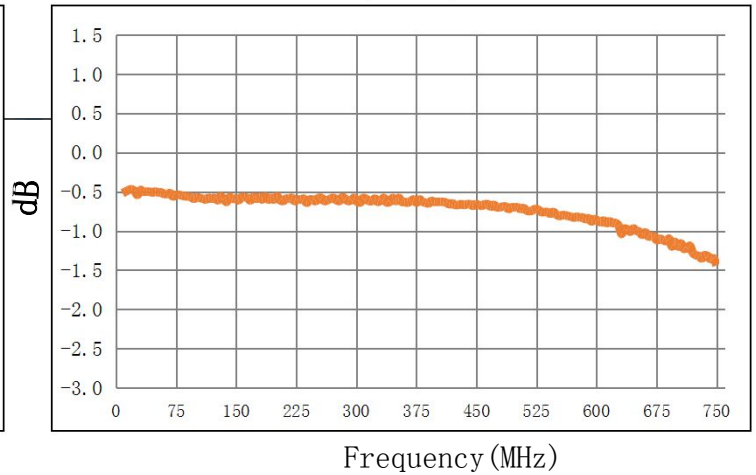
Electrical Specifications:  $T_A = 25^\circ\text{C}$   $Z_0 = 50\Omega$ ,

Parameter	Test Conditions	Units	Min	Typ	Max
Main line Loss(out1)	8-750MHz	dB	—	1.0	3.0
Main line Loss(out2)	8-750MHz	dB	—	1.0	2.5
Amplitude Balance	8-750MHz	dB	—	0.5	$\pm 1.0$
Phase Balance	8-750MHz	Degrees	—	$\pm 10$	$\pm 12$
Input Return Loss	8-750MHz	dB	10.0	16.0	—

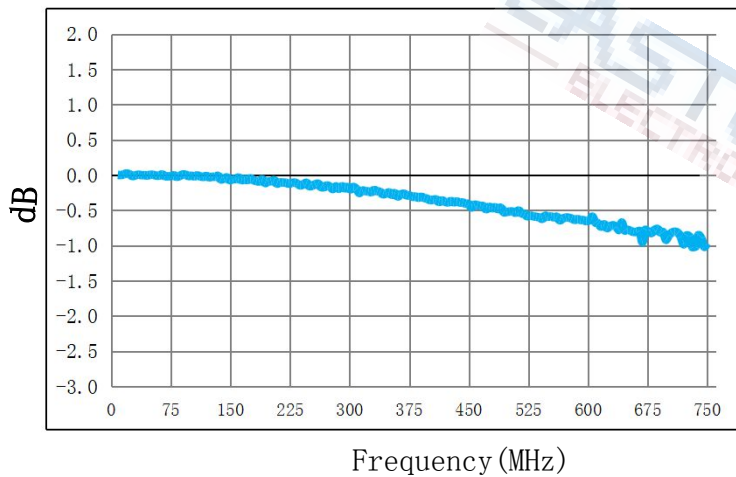
Main line Loss(out1)



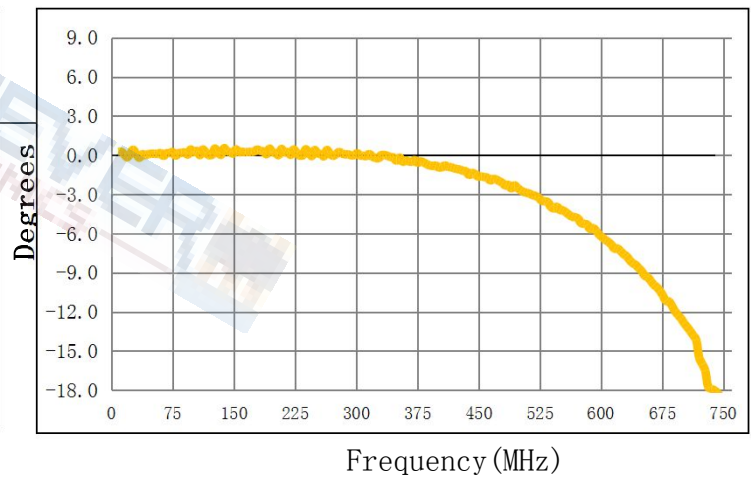
Main line Loss(out2)



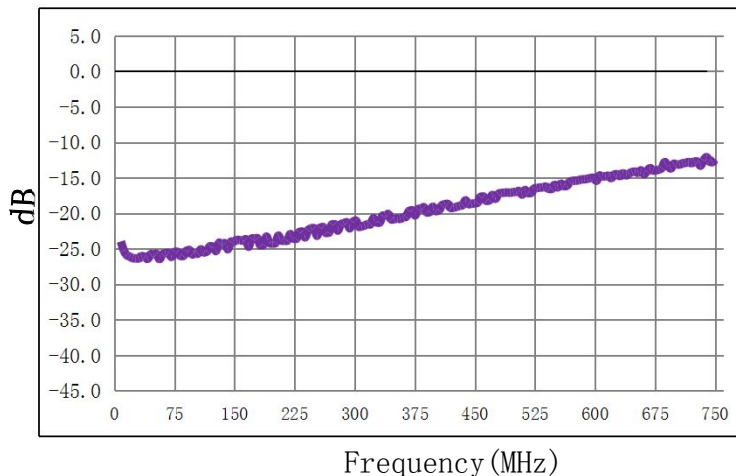
Amplitude Balance



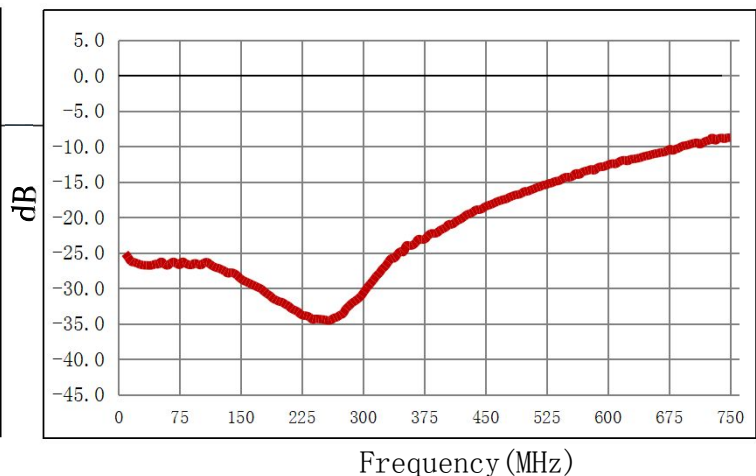
Phase Balance



Input Return Loss

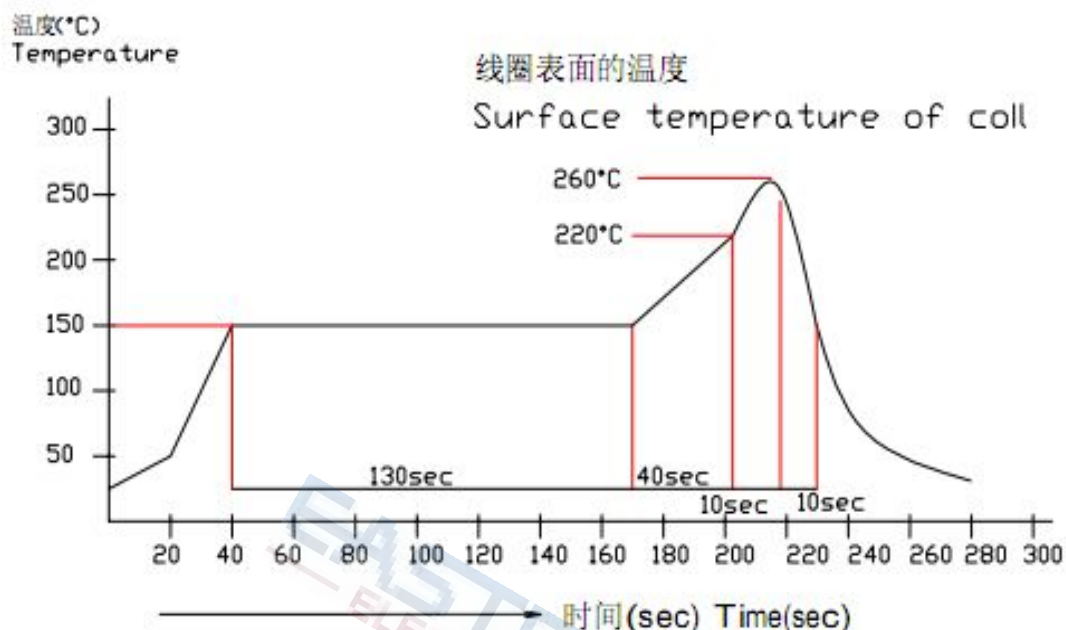


Sdd22

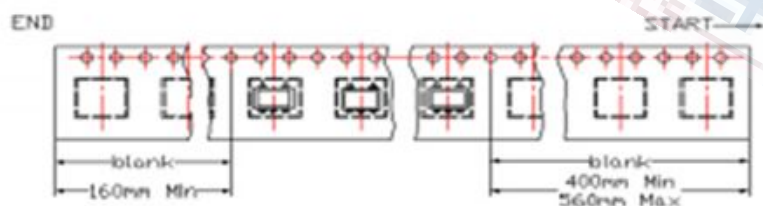


**Recommended Soldering Temperature Graph:**

建议迴焊条件  
The condition of reflow  
(Recommendation)



**Packing Dimension For Caeier Tape(UNIT:mm):**



SPEC	8	12	16	24	32	44	56	72
DIM A±0.1	8.5	12.5	16.5	24.5	32.5	44.5	56.5	72.5
DIM B±0.1	2.3	2.3	2.3	2.3	2.3	2.3	2.3	2.3
DIM C±0.1	100	100	100	100	100	100	100	100

**QUANTITY**

2000PCS/Reel

15 reel/Big carton/60000pcs