

Features:

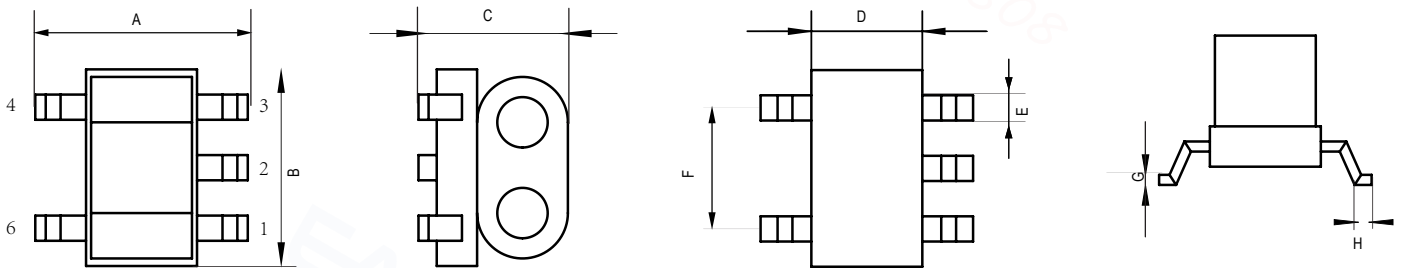
- ◆ Frequency Range: 5 to 1200 MHz
- ◆ Surface mount and available in tape and reel
- ◆ 260°C reflow compatible
- ◆ RoHS Compliant and Pb free
- ◆ Operating temperature range: -40°C to +85°C
- ◆ Storage temperature range: -55°C to +100°C



Applications:

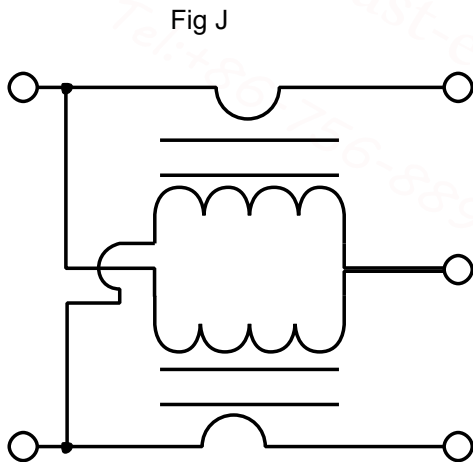
- ◆ For catv
- ◆ For broadband and wireless communications

Dimension diagram (Unit:mm) :

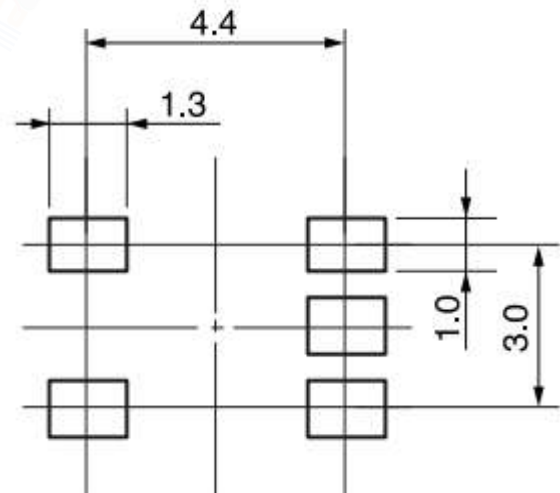


A=5.10±0.20 B=4.30±0.20 C=4.20±0.20 D=2.80±0.20 E=0.50±0.10 F=3.00±0.10 G=0.40±0.10 H=0.80±0.10

Electrical structure:



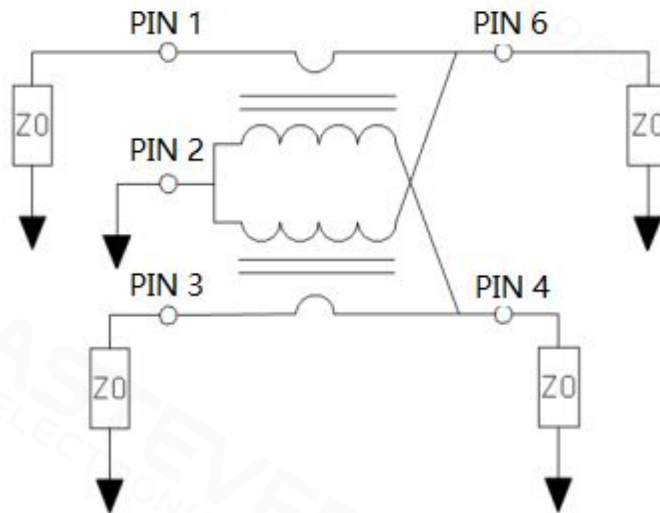
Recommended layout(mm):



Pin configuration:

Pin no.	Function
1	Input
2	Ground
3	Coupled
4	Isolated
6	Output

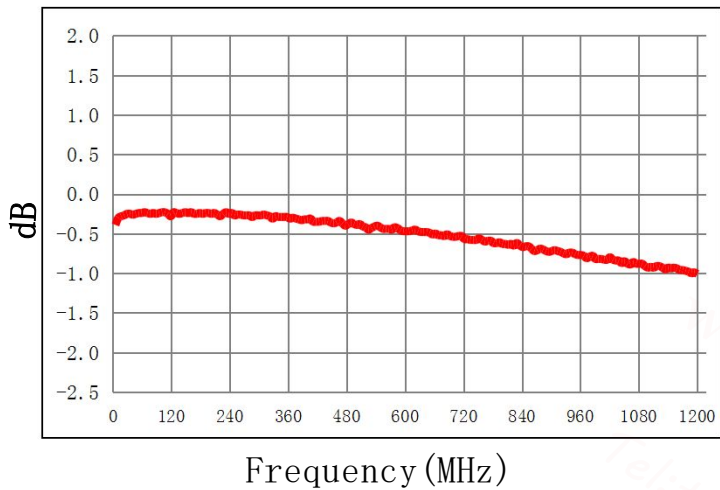
Application circuit :



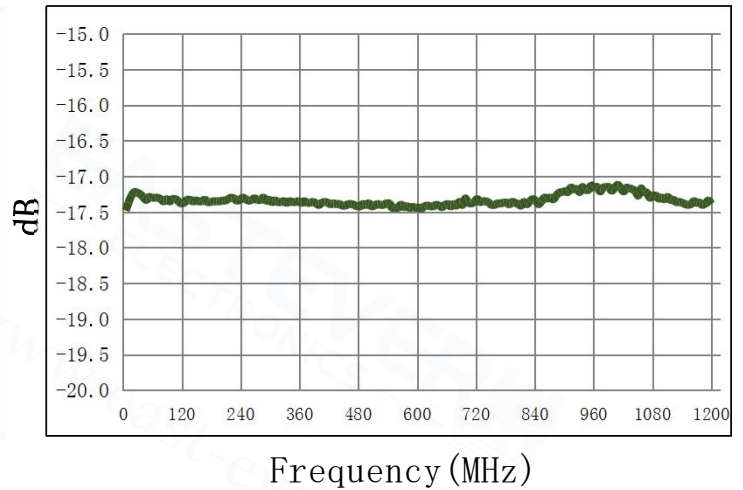
Electrical Specifications: TA=25°C , 0dBm,Z0=75Ω:

Parameter	Test Conditions	Units	Min	Typ	Max
Main line Loss	5-1200MHz	dB	—	0.5	1.5
Coupling	5-1200MHz	dB	—	17.3	±1.0
Input Return Loss	5-1200MHz	dB	16.0	23.0	—
Output Return Loss	5-1200MHz	dB	16.0	25.0	—
Coupling Return Loss	5-1200MHz	dB	16.0	23.0	—
Isolation	5-1200MHz	dB	16.0	25.0	—

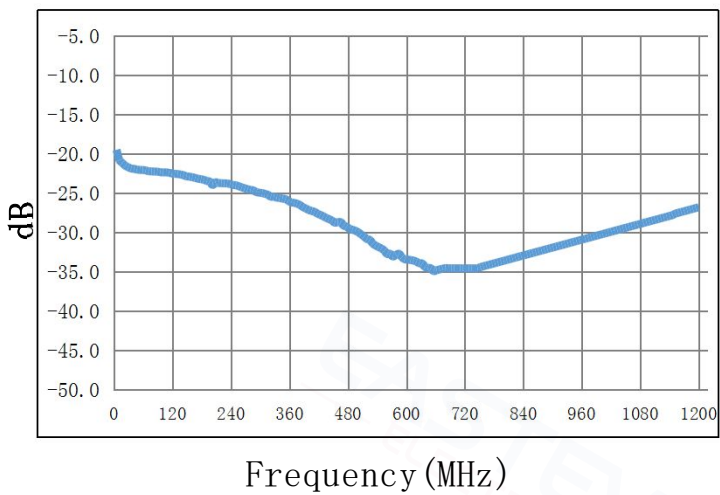
Main line Loss (pin1-6) :



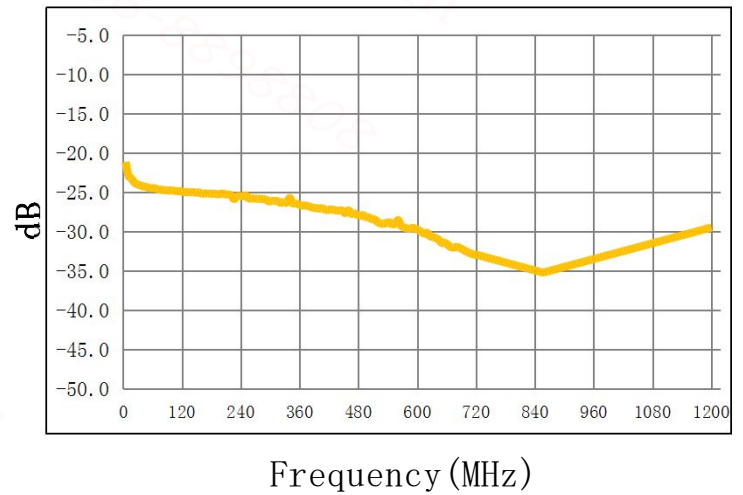
Coupling (pin1-3) :



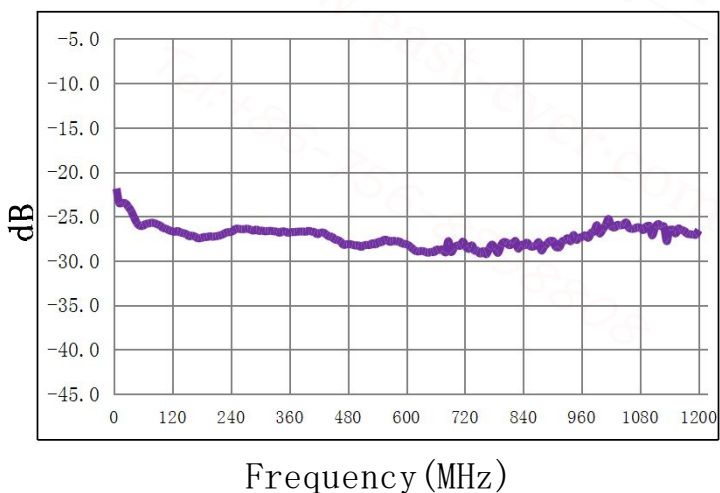
Input Return Loss (Pin1)



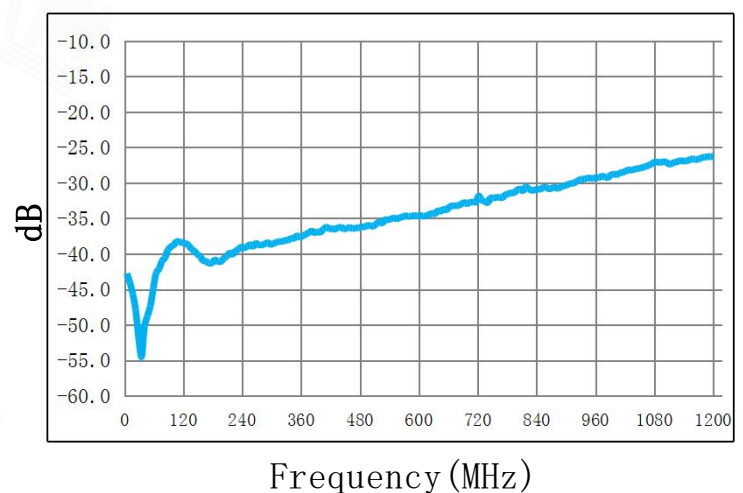
Output Return Loss (Pin6)



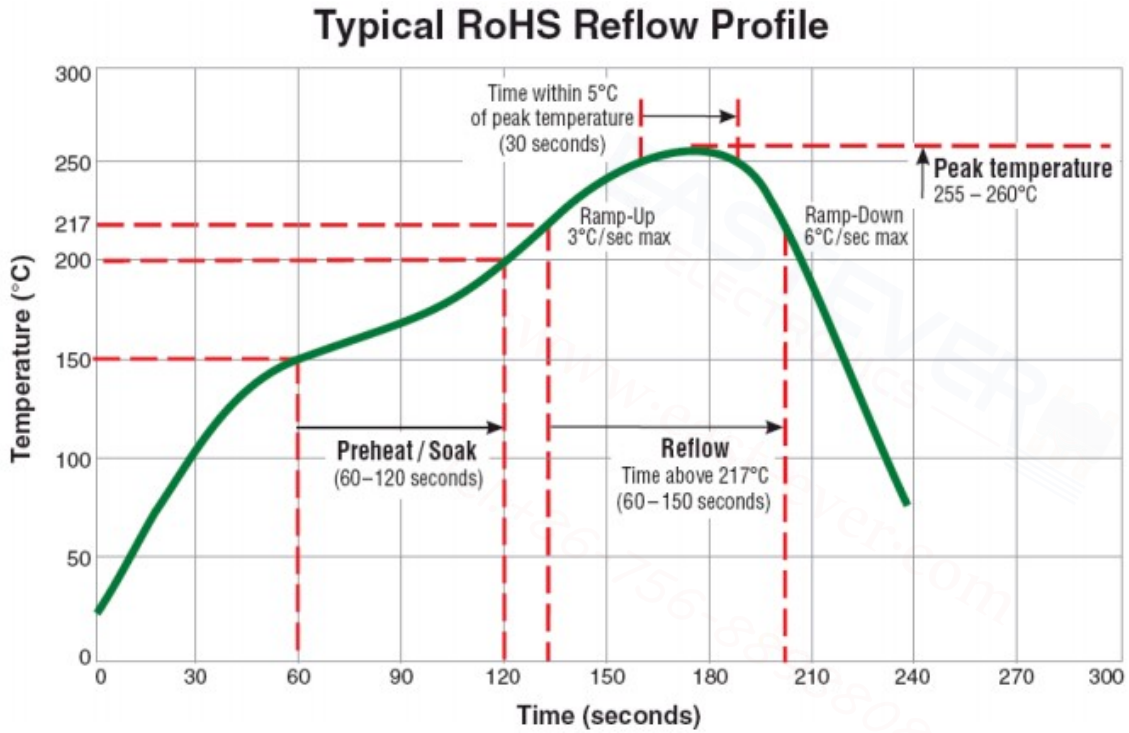
Coupling Return Loss (Pin3)



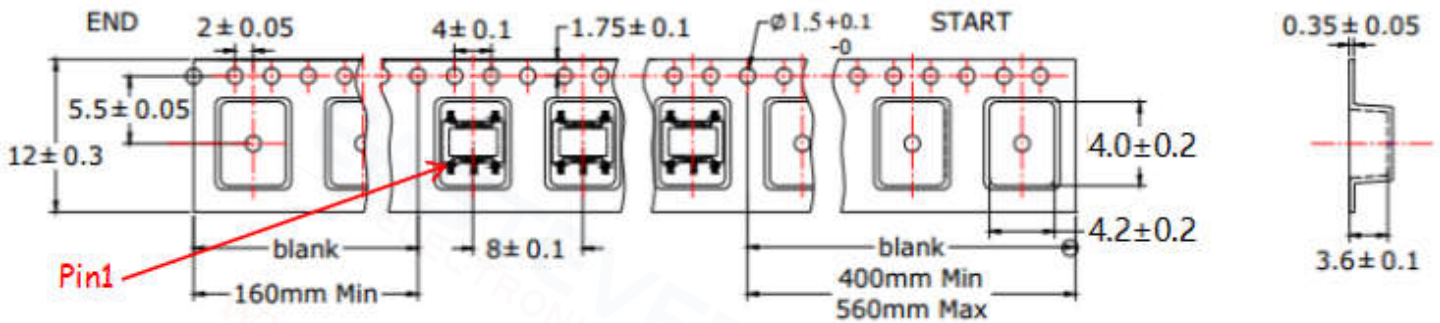
Isolation (Pin1-4)



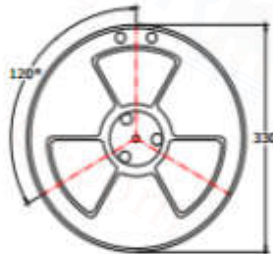
Recommended Soldering Temperature Graph:



Packaging Dimension For Caeier Tape(UNIT:mm):



QUANTITY
2000PCS/Reel
4Reels/Middle Carton Middle Carton:
4 Middle Cartons/Big Carton
32000PCS/ Big Carton



SPEC	8	12	16	24
DIM A±0.1	8.5	12.5	16.5	24.5
DIM B±0.1	2.3	2.3	2.3	2.3
DIM C±0.1	100	100	100	100

