

Features:

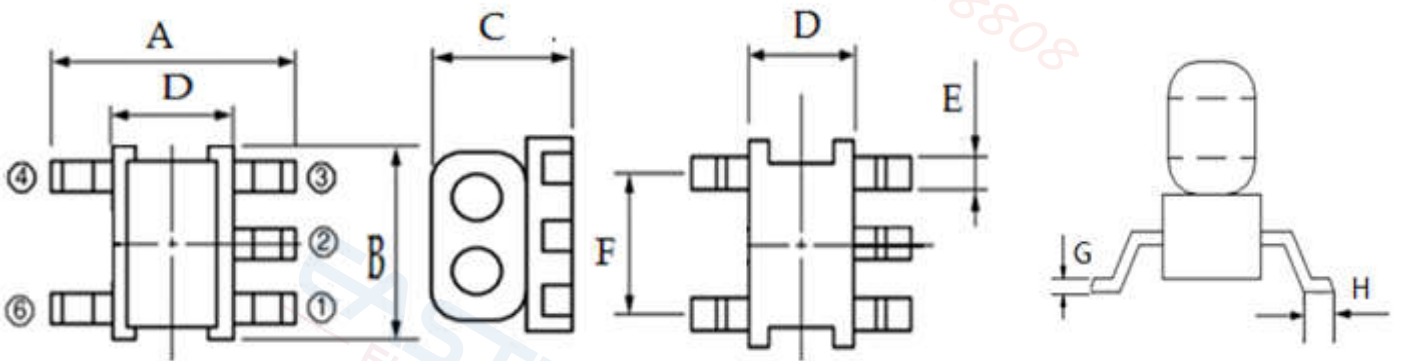
- ◆ Frequency Range: 5 to 1800 MHz
- ◆ Surface mount and available in tape and reel
- ◆ 260°C reflow compatible
- ◆ RoHS Compliant and Pb free
- ◆ Operating temperature range: -40°C to +85°C
- ◆ Storage temperature range: -55°C to +100°C



Applications:

- ◆ For catv
- ◆ For broadband and wireless communications

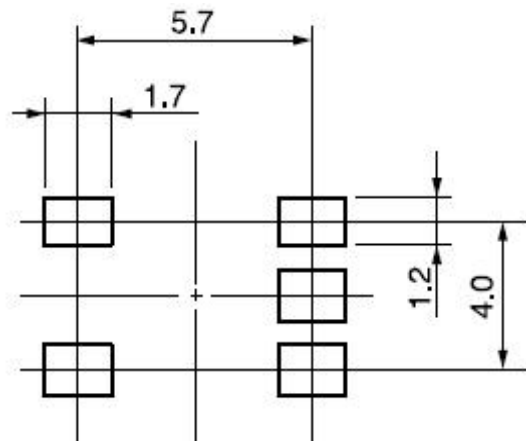
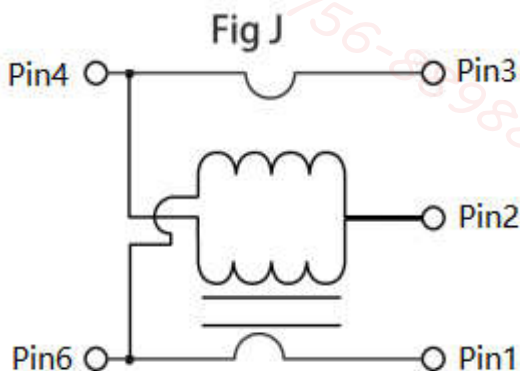
Dimension diagram (Unit:mm) :



A=6.10±0.20 B=6.00±0.20 C=4.00 Max D=4.00±0.20 E=0.60±0.05 F=4.00±0.10 G=0.30±0.05 H=0.60±0.10

Electrical structure:

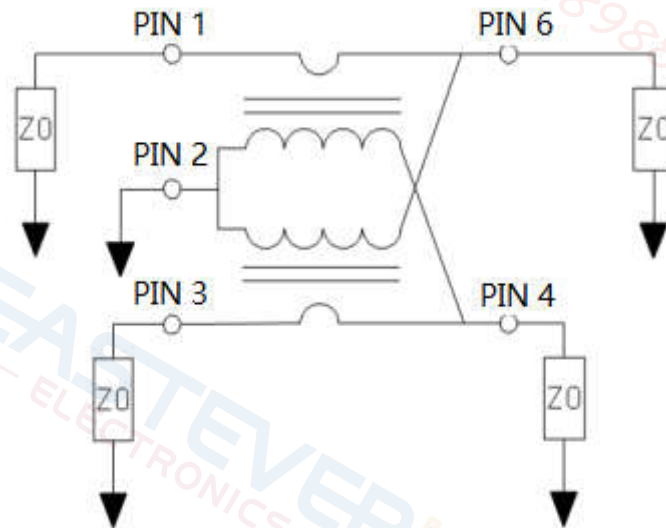
Recommended layout(mm):



Pin configuration:

Pin No.	Function
1	Input
2	Ground
3	Coupled
4	Isolated
6	Output

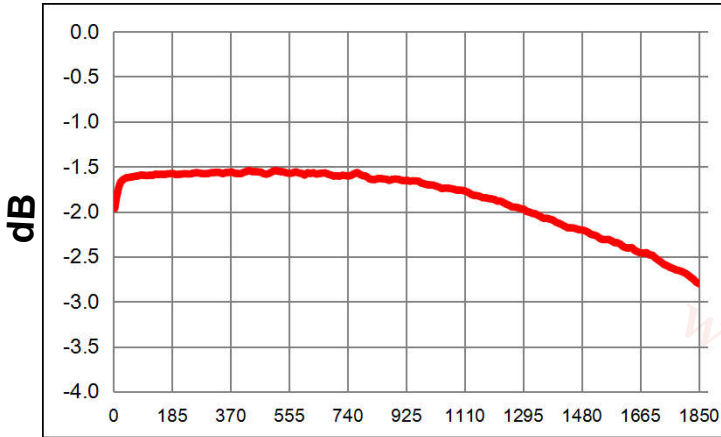
Application circuit :



Electrical Specifications: TA=25°C , 0dBm, Z0=75Ω

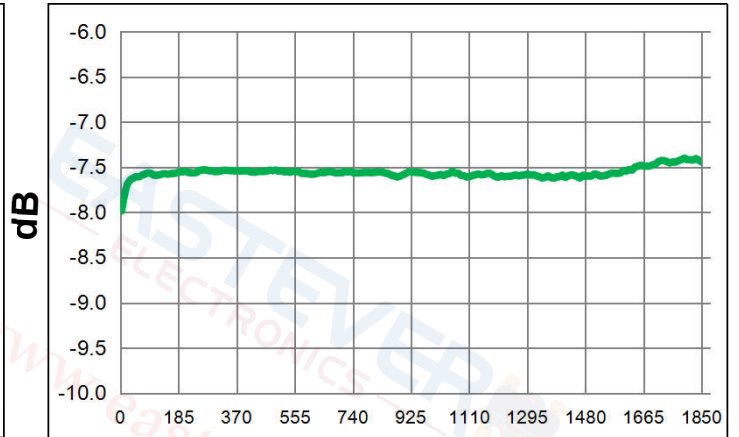
Parameter	Test Conditions	Units	Min	Typ	Max
Main line Loss	5-1800MHz	dB	—	1.60	3.5
Coupling	5-1800MHz	dB	7.2	7.7	8.5
Input Return Loss	5-1800MHz	dB	12.0	20.0	—
Output Return Loss	5-1800MHz	dB	16.0	25.0	—
Coupling Return Loss	5-1800MHz	dB	10.0	20.0	—
Isolation	5-1800MHz	dB	16.0	19.0	—

Main line Loss(pin1-6):



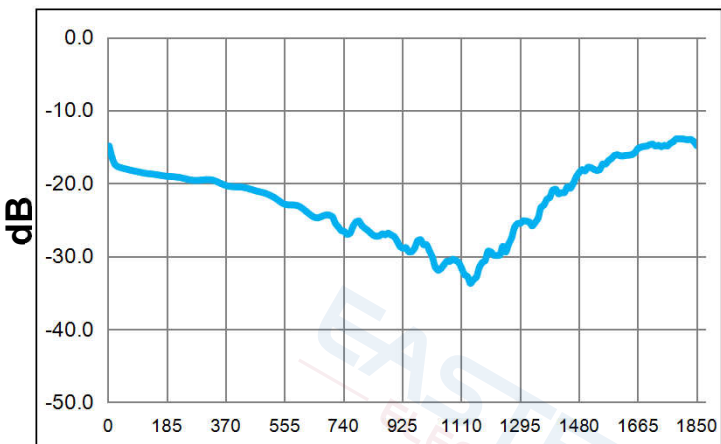
Frequency(MHz)

Coupling(pin1-3):



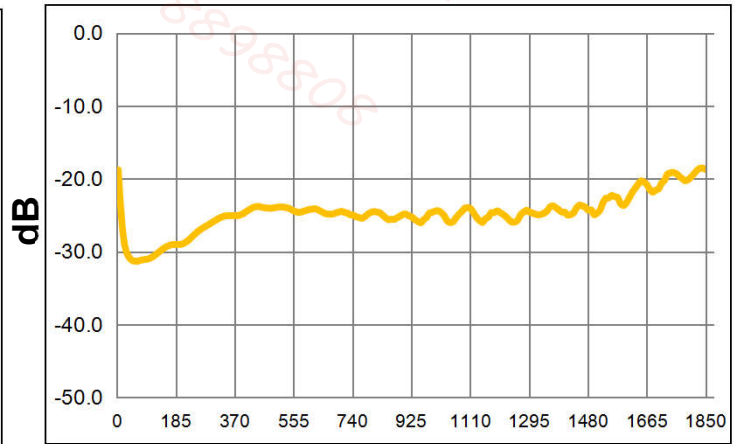
Frequency(MHz)

Input Return Loss (Pin1)



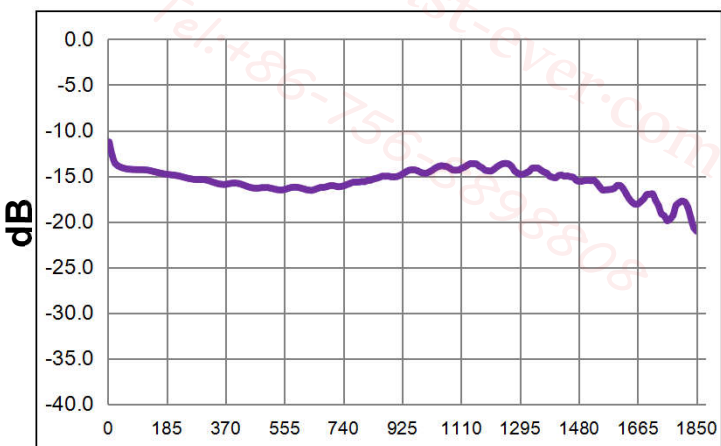
Frequency(MHz)

Output Return Loss (Pin6)



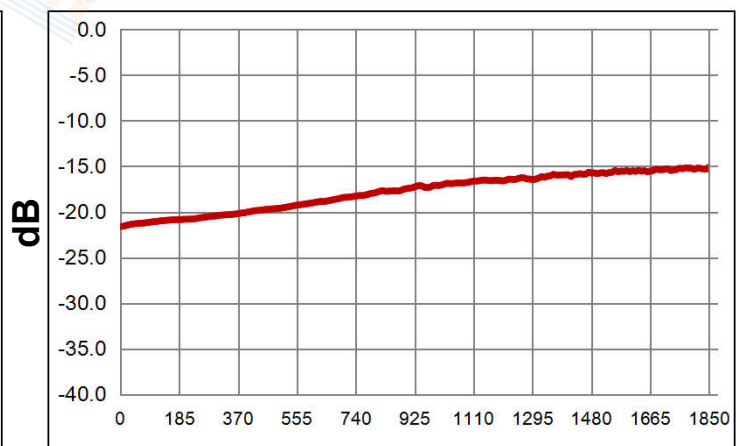
Frequency(MHz)

Coupling Return Loss (Pin3)



Frequency(MHz)

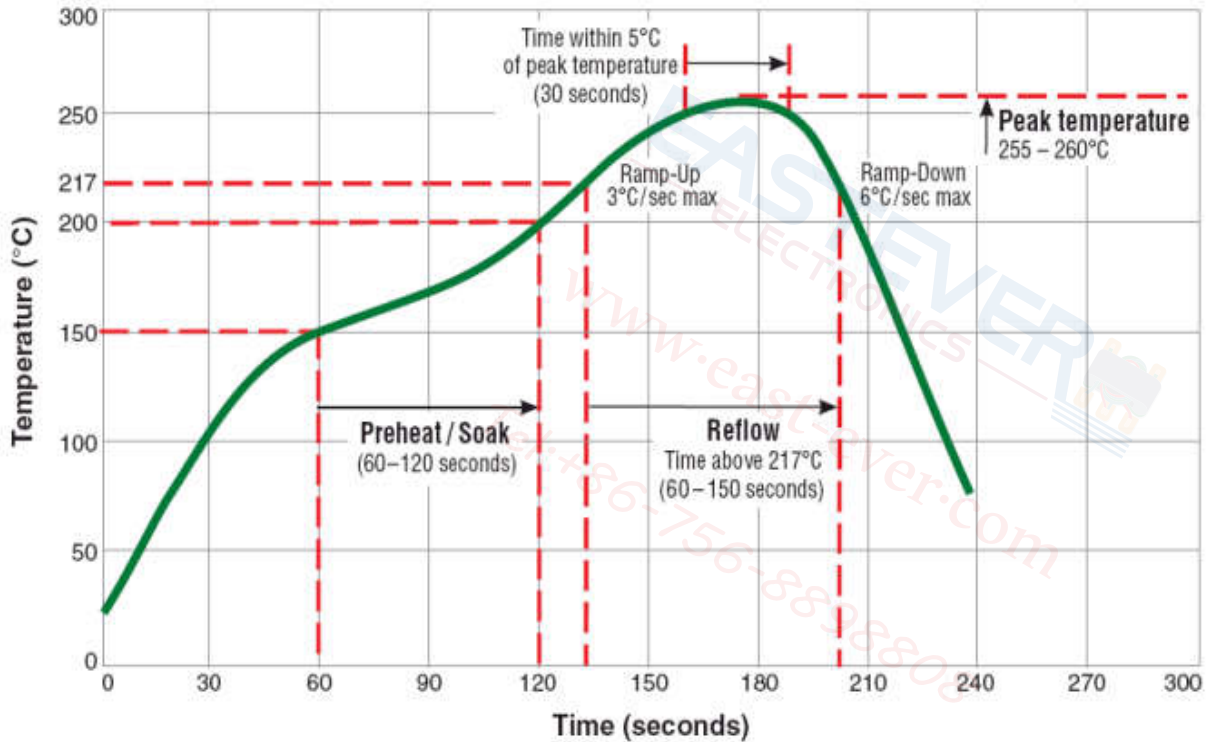
Isolation (Pin1-4)



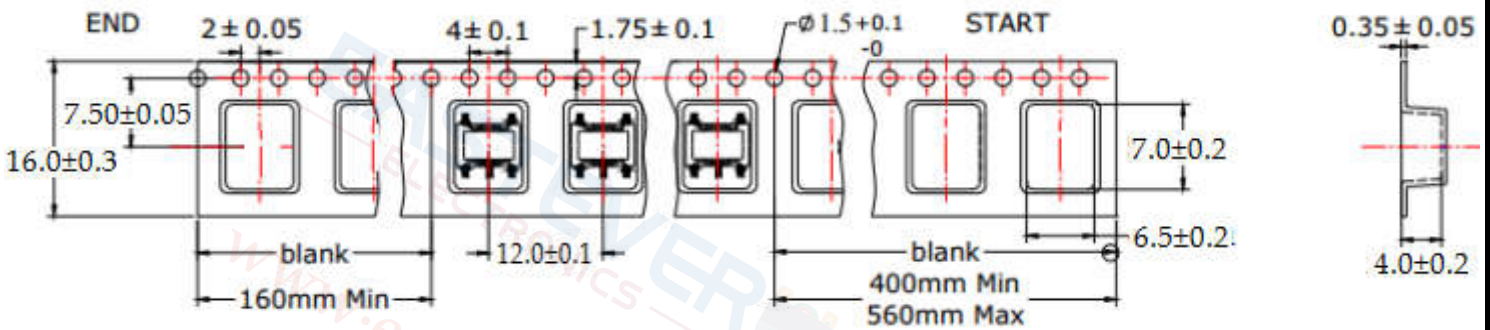
Frequency(MHz)

Recommended Soldering Temperature Graph:

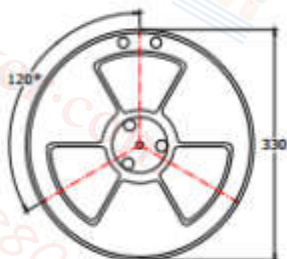
Typical RoHS Reflow Profile



Packaging Dimension For Caeier Tape(UNIT:mm):



QUANTITY
1000PCS/Reel
3Reels/Middle Carton Middle Carton:
4 Middle Cartons/Big Carton
12000PCS/ Big Carton



SPEC	8	12	16	24
DIM A±0.1	8.5	12.5	16.5	24.5
DIM B±0.1	2.3	2.3	2.3	2.3
DIM C±0.1	100	100	100	100

