

## Features:

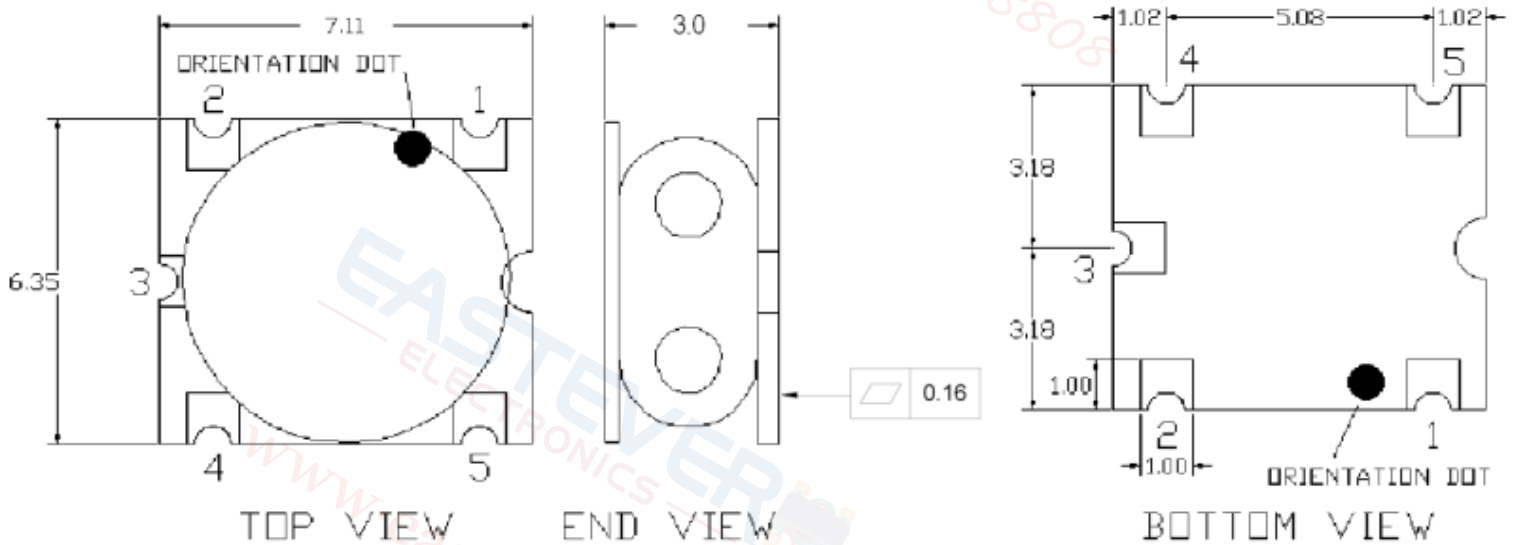


- ◆ Equivalent to: MABA-007681-CT2010
- ◆ 75Ω Characteristic Impedance
- ◆ Frequency: 5 to 1250 MHz
- ◆ RF power: 0.50W
- ◆ DC current: 30mA
- ◆ Operating temperature range: -40°C to +85°C
- ◆ Storage temperature range: -55°C to +100°C

## Applications:

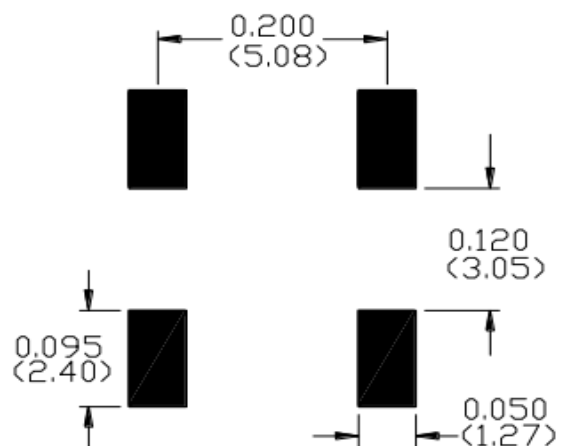
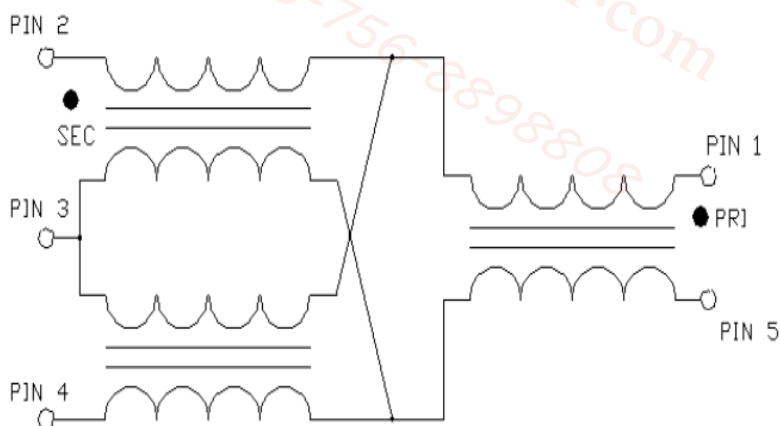
- ◆ For broadband and wireless communications
- ◆ For VHF/UHF receivers/transmitters and push-pull amplifiers

## Dimension Diagram :



## Electrical structure:

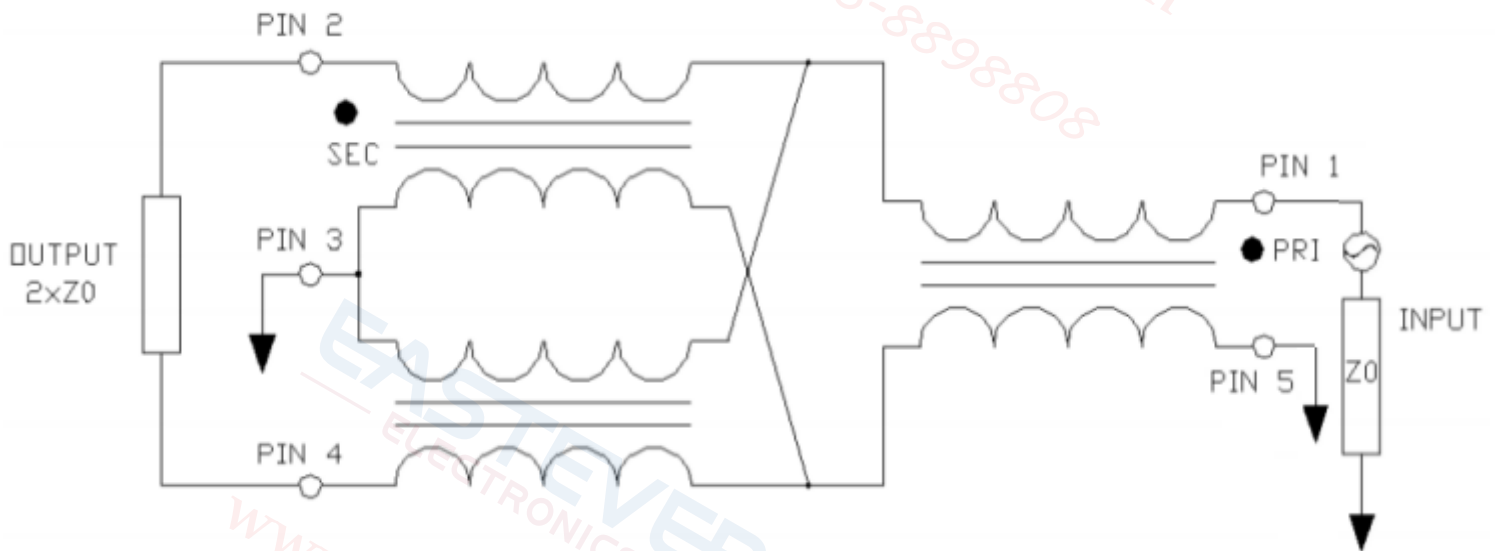
## Recommended layout:



**Pin configuration:**

Pin no.	Function
1	Primary dot (Input)
2	Secondary dot (Output 1)
3	Centre tap (Ground)
4	Secondary (Output 2)
5	Primary (Ground)

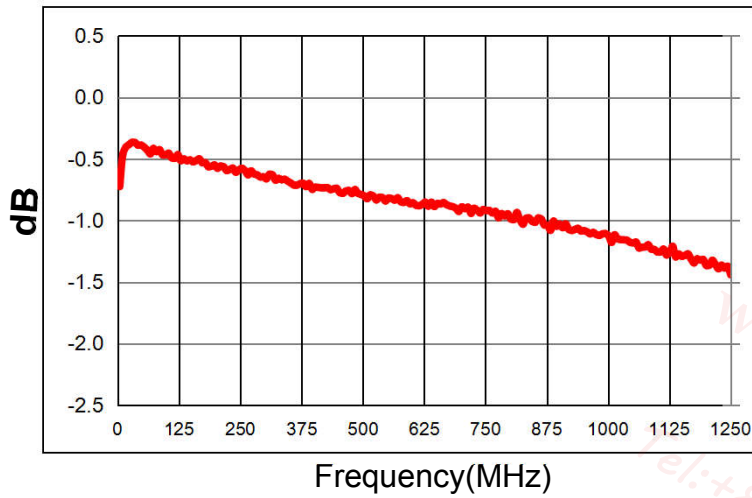
**Application circuit :**



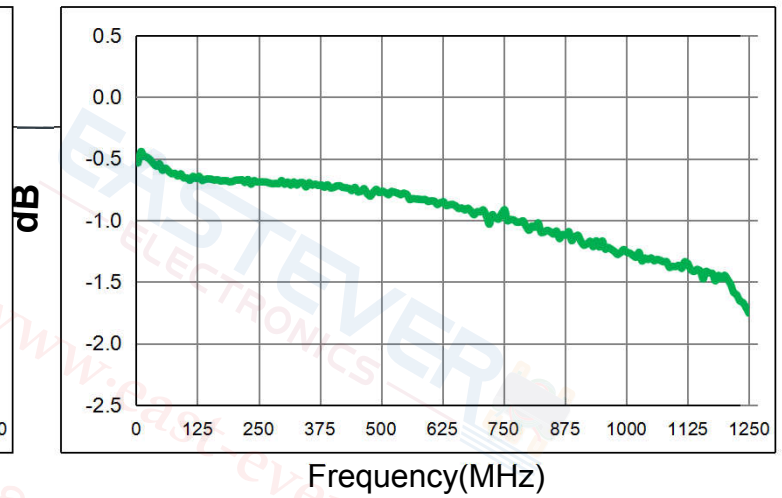
**Electrical Specifications: TA=25°C,0dBm,Z0=75Ω**

Parameter	Test Conditions	Units	Min	Typ	Max
Main line Loss(out1)	5-1250MHz	dB	—	0.8	2.0
Main line Loss(out2)	5-1250MHz	dB	—	1.2	2.5
Amplitude Balance	5-1250MHz	dB	—	0.6	±1.8
Phase Balance	5-1250MHz	Degrees	—	±5	±7.0
Input Return Loss	5-1250MHz	dB	8.0	17.0	—

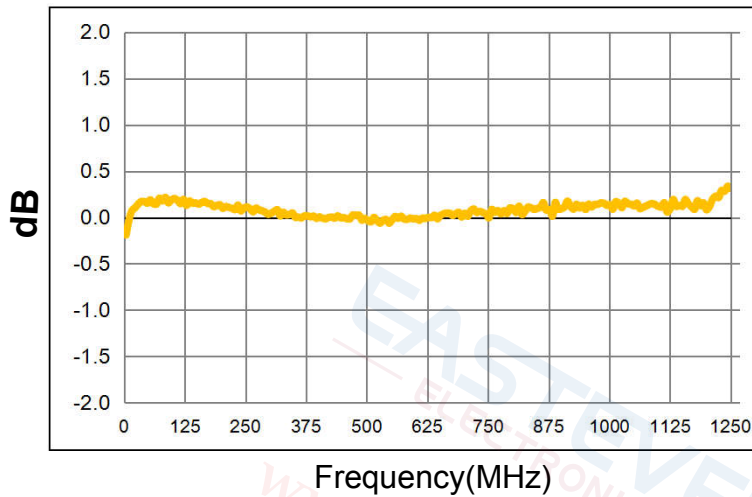
### Main line Loss(out1)



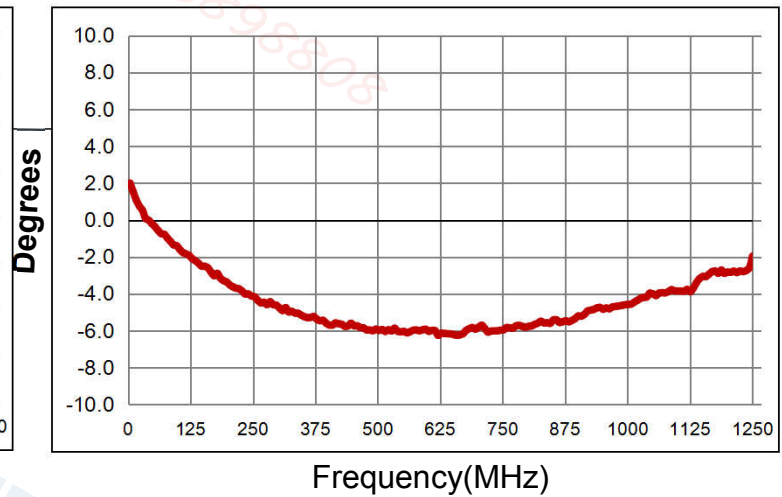
### Main line Loss(out2)



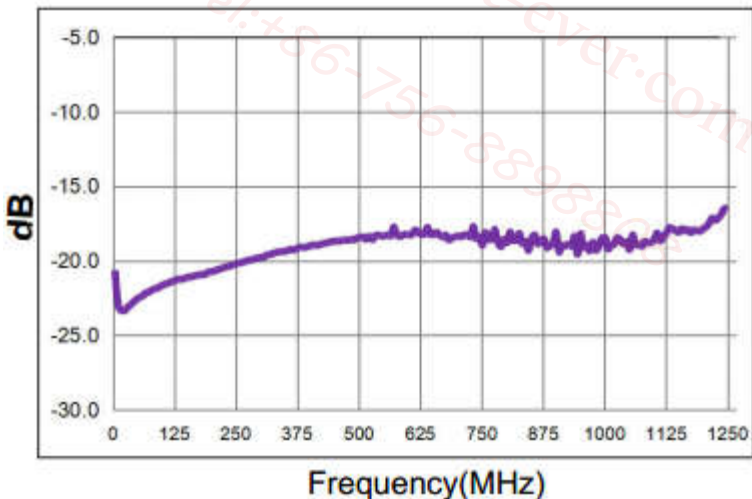
### Amplitude Balance



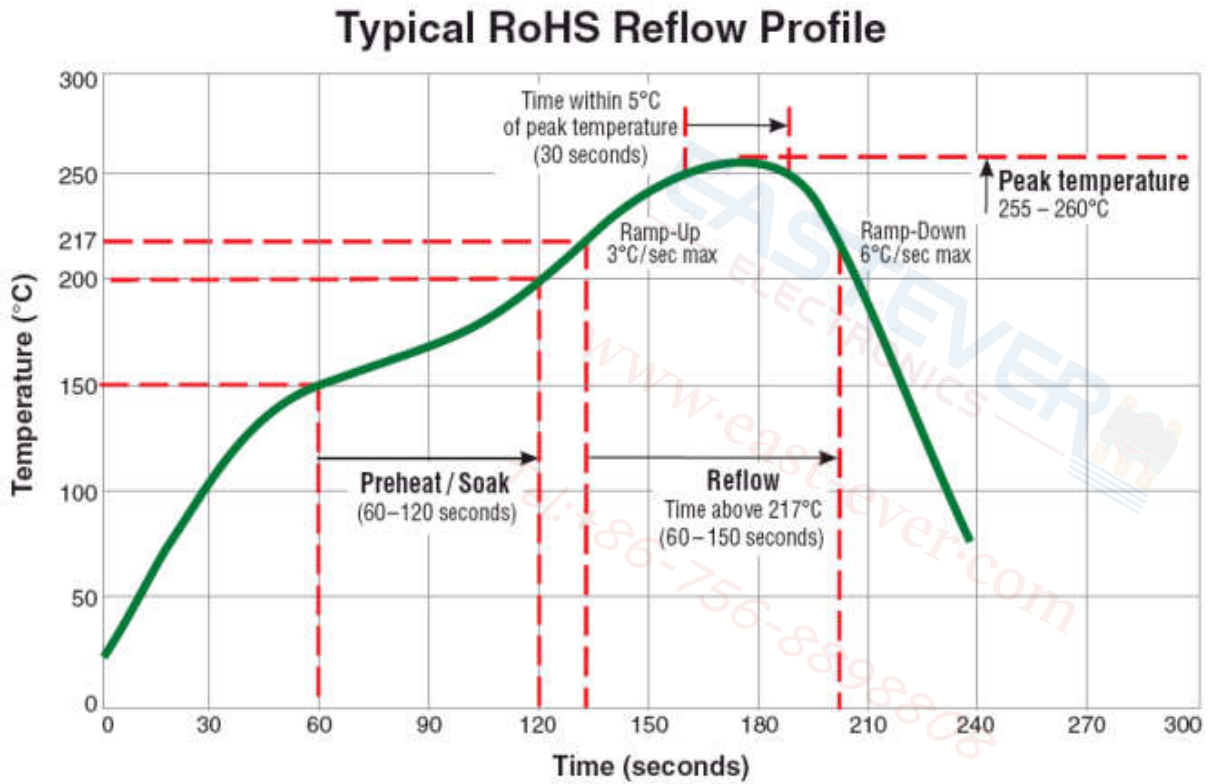
### Phase Balance



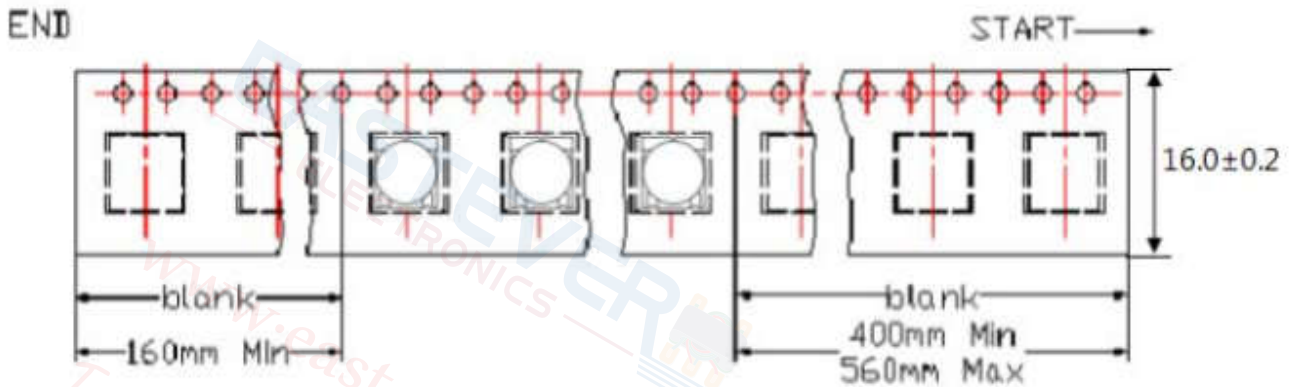
### Input Return Loss



**Recommended Soldering Temperature Graph:**



**Packging Dimension For Caeier Tape(UNIT:mm):**



<b>QUANTITY</b>
1500PCS/Reel
3Reels/Middle Carton Middle Carton
4 Middle Cartons/Big Carton
18000PCS/ Big Carton



SPEC	8	12	16	24
DIM A±0.1	8.5	12.5	16.5	24.5
DIM B±0.1	2.3	2.3	2.3	2.3
DIM C±0.1	100	100	100	100

