

Features:

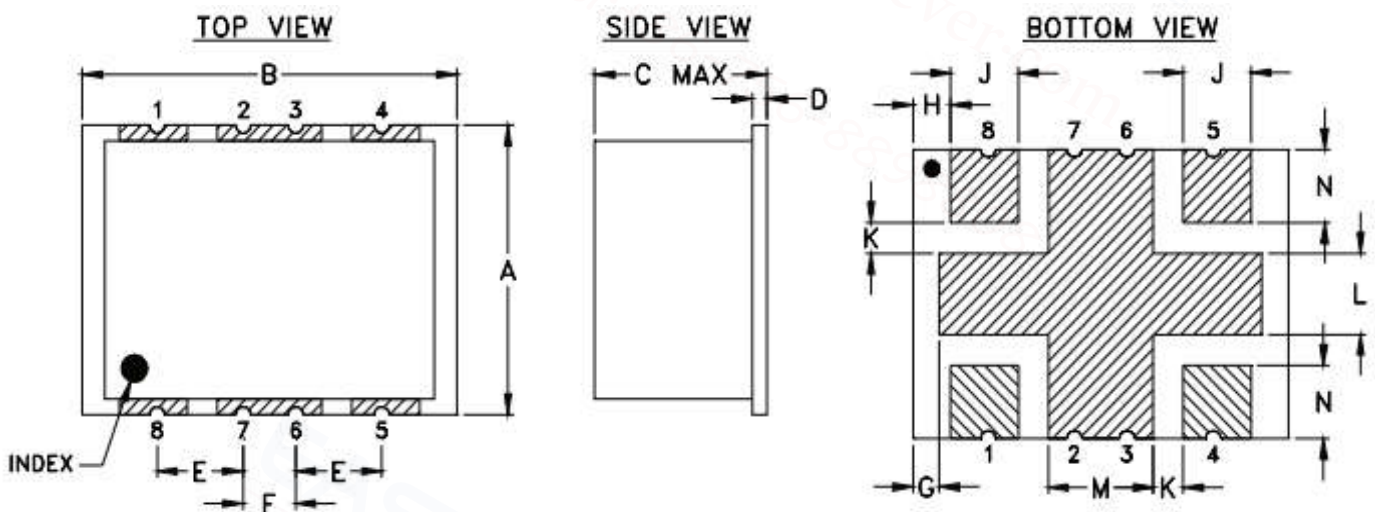
- ◆ High power, 25W max.
- ◆ Surface mount and available in tape and reel
- ◆ Operating temperature range: -40°C to +85°C
- ◆ Storage temperature range: -55°C to +100°C



Applications:

- ◆ Signal monitoring
- ◆ military mobile

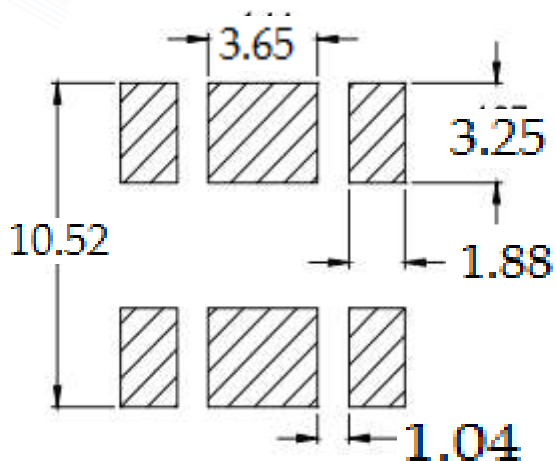
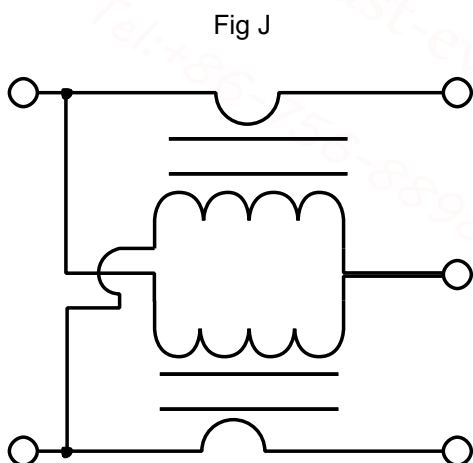
Dimension diagram (Unit:mm) :



A=9.35±0.30 B=12.70±0.30 C=7.00 Max D=0.80±0.15 E=2.92±0.15 F=1.78±0.15
 G=0.90±0.15 H=1.27±0.15 J=2.30±0.20 K=1.02±0.15 L=2.70±0.15 M=2.60±0.15 N=2.40±0.15

Electrical structure:

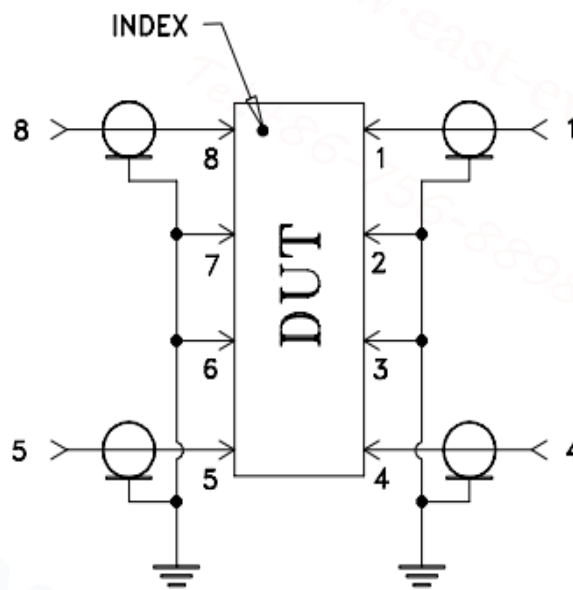
Recommended layout(mm):



Pin Connections:

Pin No.	Pin Connections
8	Input
1	Output
5	Coupled(Forward)
4	Coupled(Reverse)
2,3,6,7	Ground

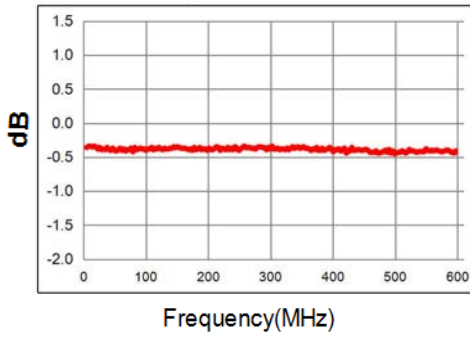
Application circuit :



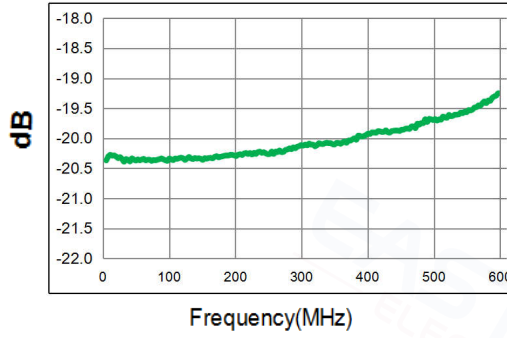
Electrical Specifications: TA=25°C , 0dBm,Z0=50Ω:

Parameter	Test Conditions	Units	Min	Typ	Max
Main line Loss(Pin8-1)	10-540MHz	dB	—	0.3	1.0
Coupling(Forward)(Pin8-5)	10-540MHz	dB	—	20.2	±1.0
Coupling(Reverse)(Pin1-4)	10-540MHz	dB	—	20.0	±1.0
Input Return Loss(Pin8)	10-540MHz	dB	16.0	28.0	—
Output Return Loss(Pin1)	10-540MHz	dB	16.0	30.0	—
Coupled Fwd Return Loss(Pin5)	10-540MHz	dB	16.0	28.0	—
Coupled Rev Return Loss(Pin4)	10-540MHz	dB	16.0	32.0	—
Isolation(Pin8-4)	10-540MHz	dB	25.0	42.0	—
Isolation(Pin1-5)	10-540MHz	dB	25.0	33.0	—

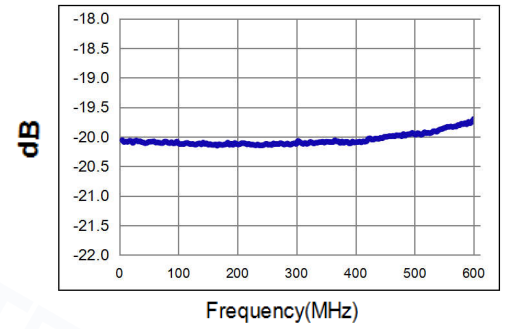
Main line Loss(pin8-1):



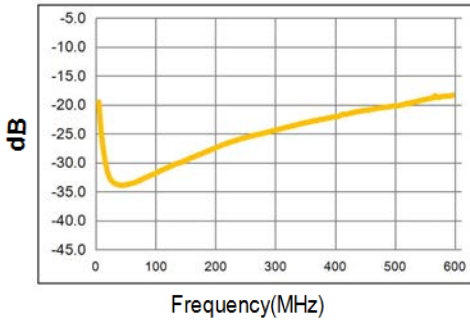
Coupling Forward (Pin8-5):



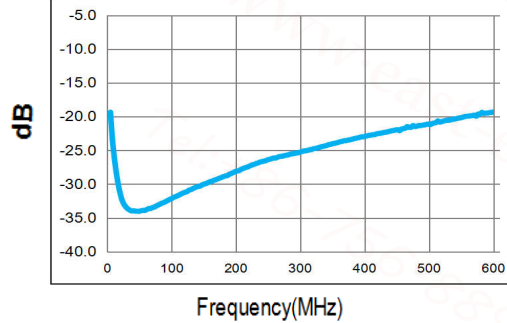
Coupling Reverse (Pin1-4):



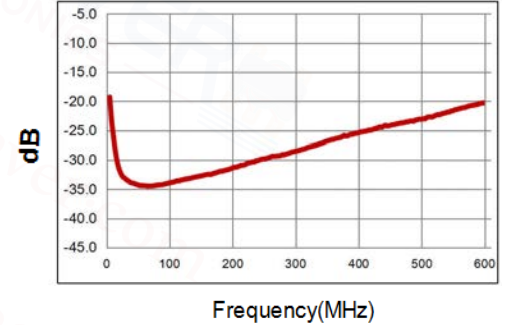
Input Return Loss (Pin8):



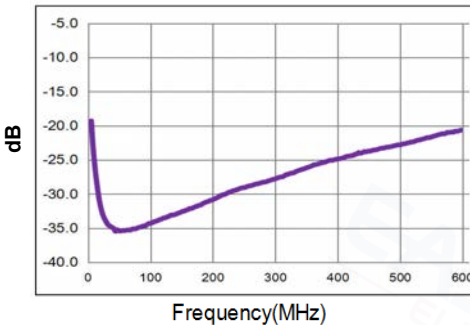
Output Return Loss (Pin1):



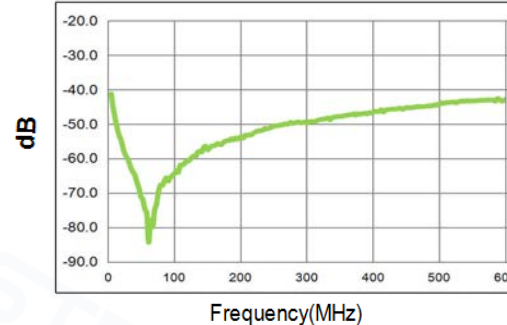
Coupled Fwd Return Loss (Pin5):



Coupled Rev Return Loss (Pin4):



Isolation (Pin8-4):



Isolation (Pin1-5):

